



DC / DC ATX TYPE

Specification:

- DC input Voltage: 12V (9V~ 18V)
- Efficiency: $\geq 72\%$ (typical Full Loading 25°C @ 12Vdc input)
- Non-isolation between primary and secondary
- Low ripple & noise
- Short circuit protection
- Over load and over voltage protection
- Line regulation: $\pm 1\%$ typical
- Load regulation: $\pm 5\%$ typical
- Operating/storage Temp. 0°C~45°C / -40°C~ 65°C
- P/G signal delay: Power on 100~500mS; off > 1mS.
- MTBF: 100K Hrs typical, at 25°C
- EMC: Meet EN55022 class A EN55024
- Safety: Meet EN60950
- Dimension: W100 x D200 x H40.8 mm
- Cooling: 40 x 40 (mm) x 1
- Weight: 1.75kgs

Model JDIX5160-5200

Output List

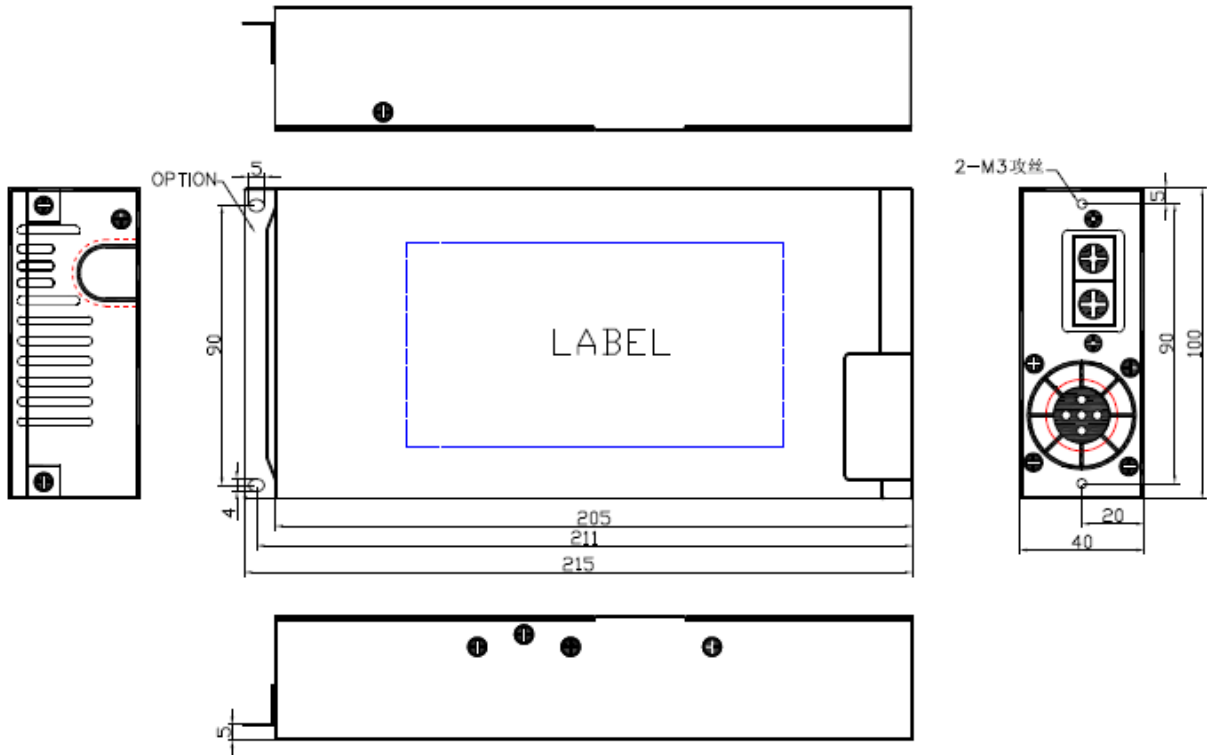
Model	Input	Output min./max. A						Total Output Max. (W)
	VDC	+5V	+3.3V	+5V&3.3V	+12V	-12V	+5VSB	
JDIX5160	9~18V	0.2/14A	0.1/13A	80W	0.6/10A	0/0.3A	0/2A	160W
JDIX5200	9~18V	0.2/14A	0.1/13A	80W	0.6/14A	0/0.3A	0/2A	200W

Lowest working at DC input voltage 8V.



DC / DC ATX TYPE

Mechanical Drawing:

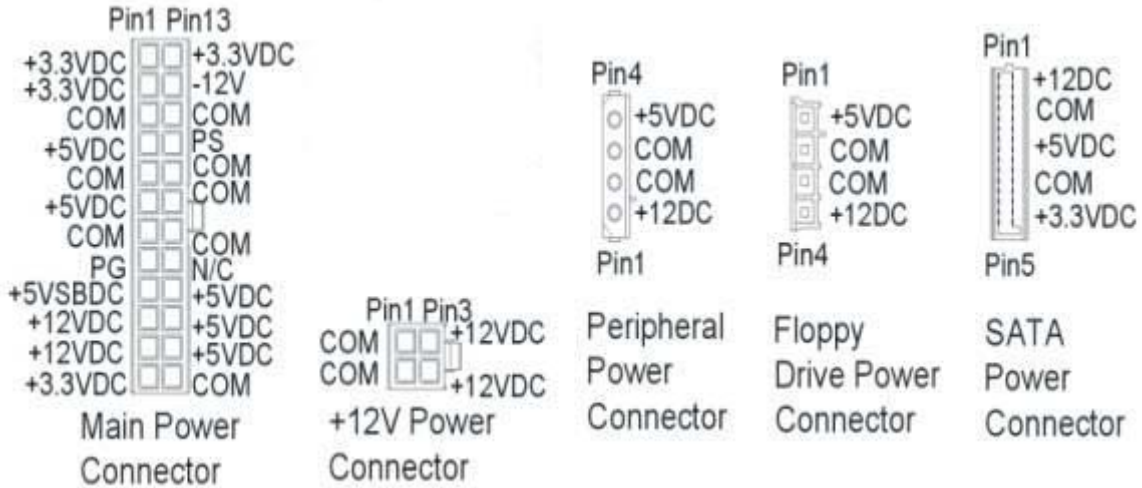




DC / DC ATX TYPE

Wire Connectors:

错误!



Wiring Length:

P1 main power connector: 300mm

P2 + P3 peripheral power connectors L4: 300mm + 140mm

P4 + P5 peripheral power connector L4 +

Floppy drive power connector S4: 300mm + 140mm

P6 12V power connector: 300mm

SATA x 2 power connector : 300mm +140mm