



DC / DC ATX TYPE

Specification:

- DC input Voltage: 12V (9V~ 18V)
- Efficiency: ≥80% (typical Full Loading 25°C @ 12Vdc input)
- Non-isolation between primary and secondary
- Low ripple & noise
- Short circuit protection
- Over load and over voltage protection
- Line regulation:±1%typical
- Load regulation:±5%typical
- Operating/storage Temp. 0°C~45°C / -40°C~ 65°C
- P/G signal delay: Power on 100~500mS; off> 1mS.
- MTBF:100K Hrs typical, at 25°C
- EMC: Meet EN55022 class A EN55024
- Safety: Meet EN60950
- Dimension: W100 xD200 xH40.8 mm
- Cooling: 40 x 40 (mm) fan x 2
- Weight: 1.75kgs

Model JDIX5250-5400

Output List

| Model | Input | Output min./max.A | | | | | | Total Output Max.(W) |
|----------|-------|-------------------|---------|----------|---------|--------|-------|----------------------|
| | VDC | +5V | +3.3V | +5V&3.3V | +12V | -12V | +5VSB | |
| JDIX5250 | 9~18V | 0.2/15A | 0.1/19A | 97W | 0.6/17A | 0/0.3A | 0/2A | 250W |
| JDIX5300 | 9~18V | 0.2/15A | 0.1/21A | 103W | 0.6/19A | 0/0.3A | 0/2A | 300W |
| JDIX5350 | 9~18V | 0.2/20A | 0.1/21A | 103W | 0.6/25A | 0/0.3A | 0/2A | 350W |
| JDIX5400 | 9~18V | 0.2/20A | 0.1/24A | 120W | 0.6/30A | 0/0.3A | 0/2A | 400W |

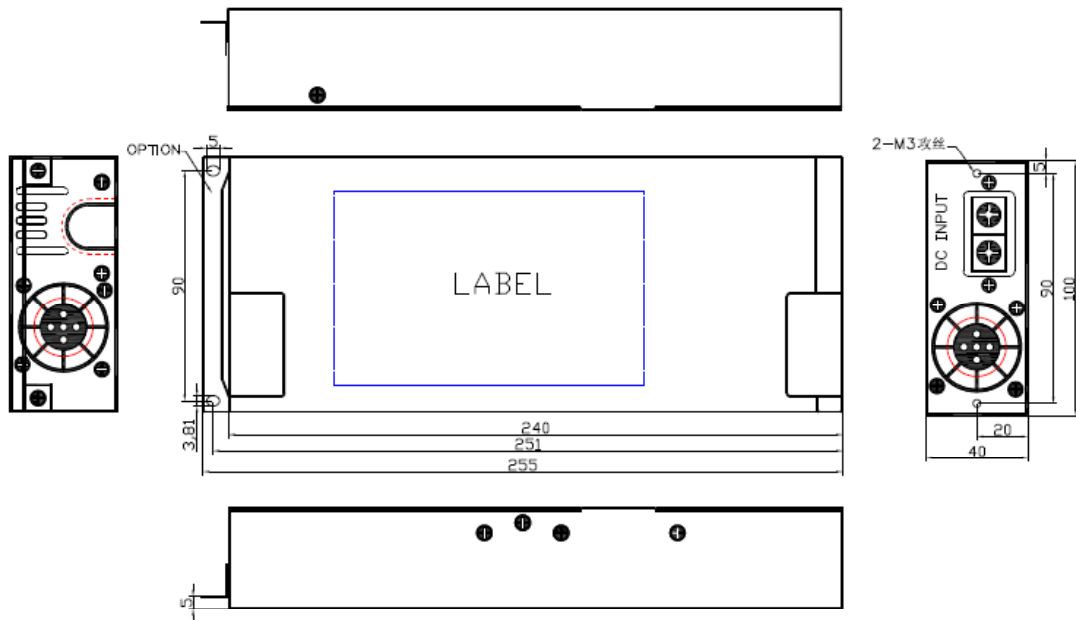
Lowest working at DC input voltage 8V.

Model:
JDIX5250
JDIX5300
JDIX5350
JDIX5400



DC / DC ATX TYPE

Mechanical Drawing:



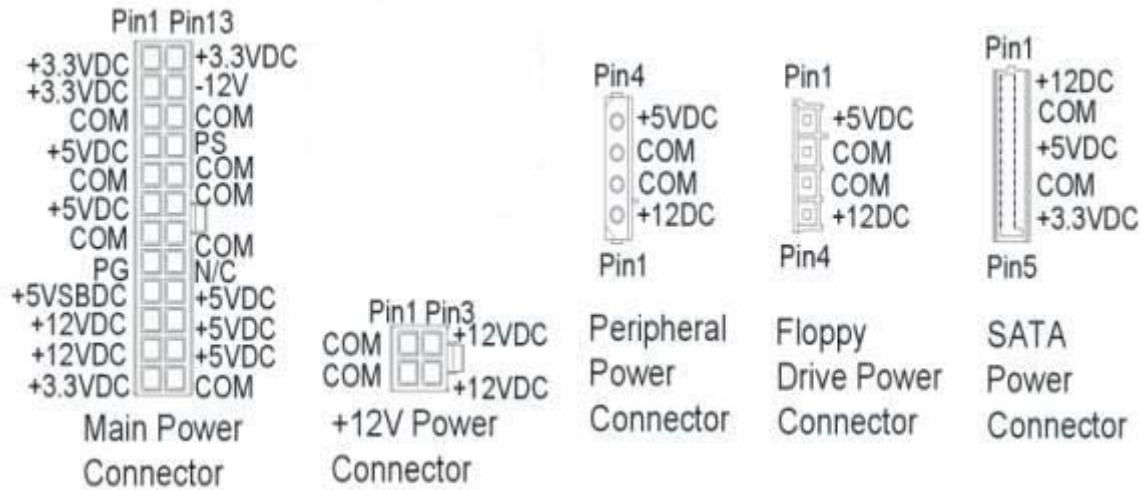
Model:
JDIX5250
JDIX5300
JDIX5350
JDIX5400



DC / DC ATX TYPE

Wire Connectors:

For JDIX 5250,5300



Wiring Length :

P1 main power connector : 300mm

P2 + P3 peripheral power connectors L4 : 300mm + 140mm

P4 + P5 peripheral power connector L4 +

Floppy drive power connector S4 : 300mm + 140mm

P6 12V power connector : 300mm

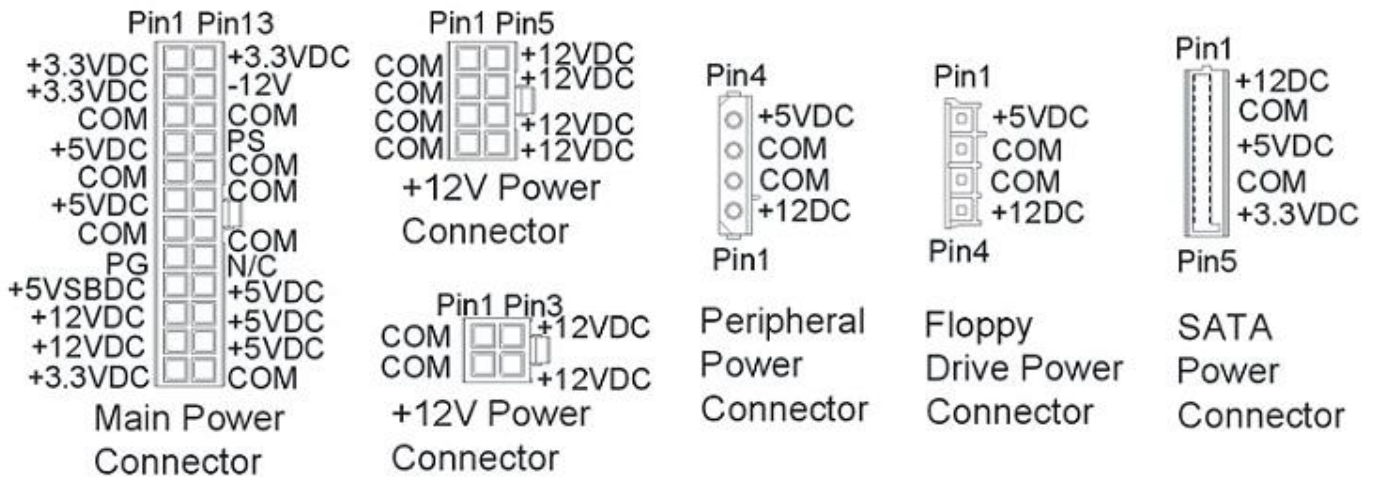
SATA x 2 power connector : 300mm +140mm



DC / DC ATX TYPE

Wire Connectors:

For JDIX5350, 5400



Wiring Length :

P1 main power connector 24 pins: 500mm

P2 + P3 peripheral power connectors L4 : 500mm + 140mm

P4 + P5 peripheral power connectors L4 : 500mm + 140mm

P6 + P7 peripheral power connector L4 +

floppy drive power connector S4 : 500mm + 140mm

P8 12V-8 power connector : 500mm

P9 12V-4 power connector : 500mm

P10 SATA- power connector : 500mm