



Specification:

- DC input Voltage: 24V (18V~36V)
28V (18V~36V)
- DC efficiency input typical: $\geq 85\%$ (24Vdc @25°C, typical load)
- Low ripple & noise
- Short circuit protection
- Over load and Voltage protection
- Line regulation: $\pm 1\%$ typical
- Load regulation: $\pm 5\%$ typical
- Operating/storage Temp. 0°C~50°C / -40°C~ 65°C
- P/G signal delay: Power on 100~500mS; off > 1mS.
- MTBF: 100K Hrs typical, at 25°C
- EMC: CE EN55022 class B
- Dimension: W150 x H86 x D140 mm
- Cooling: 80 x 80 (mm) Fan
- Weight : 2.1Kgs

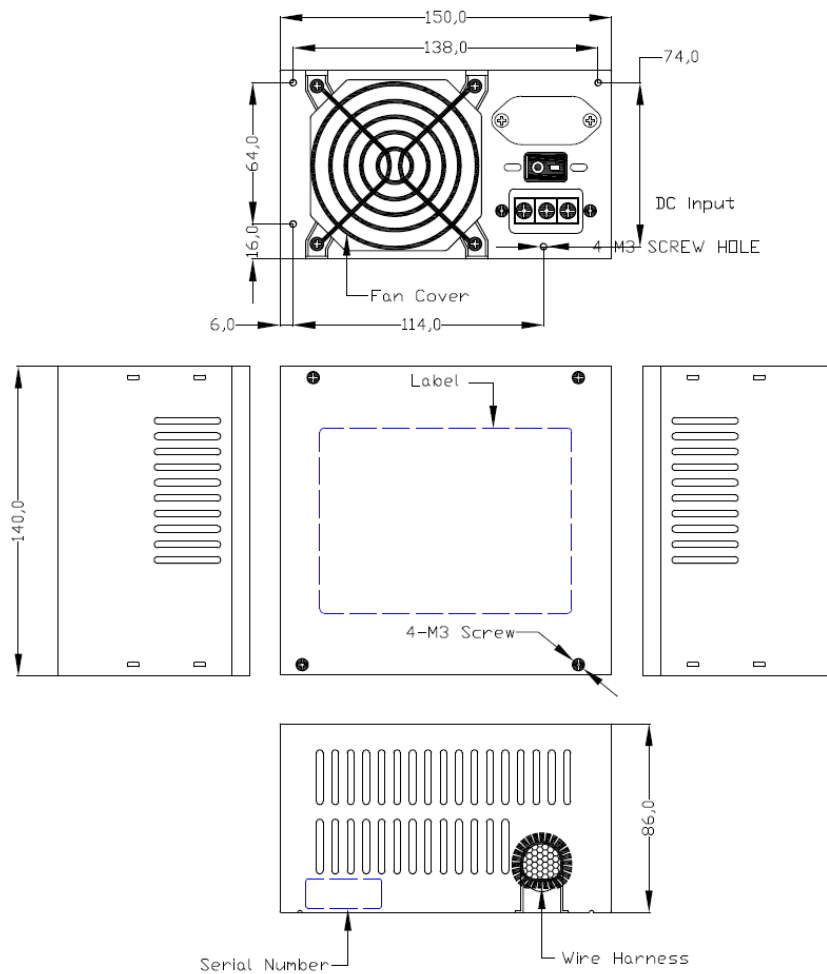
Output :

Model	Input	Output min./max.A						Total Output Max. (W)
	VDC	+5V	+3.3V	+5V&3.3V	+12V	-12V	+5VSB	
JDTX7200	18~36V	0.2/14A	0.1/13A	80W	0.6/14A	0/0.3A	0/2A	200W
JDTX7250	18~36V	0.2/15A	0.1/19A	97W	0.6/17A	0/0.3A	0/2A	250W
JDTX7300	18~36V	0.2/15A	0.1/21A	103W	0.6/19A	0/0.3A	0/2A	300W
JDTX7350	18~36V	0.2/20A	0.1/21A	103W	0.6/25A	0/0.3A	0/2A	350W

For cars, solar and battery power, airborne ,marine vessels, vehicles, tanks



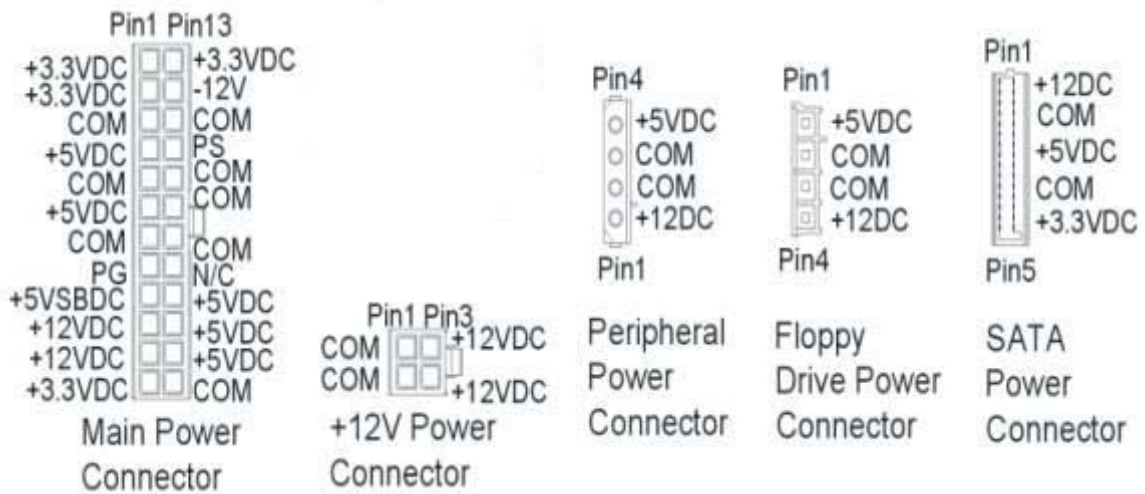
Mechanical Drawing:





Wire Harness:

For JDTX7250, 7300, 7350 :



Wiring Length:

P1 main power connector: 300mm

P2 + P3 peripheral power connectors L4: 300mm + 140mm

P4 + P5 peripheral power connector L4 +

Floppy drive power connector S4: 300mm + 140mm

P6 12V power connector: 300mm

SATA x 2 power connector : 300mm +140mm