

Model:

JDTX7400 JDTX7460
 JDTX7500 JDTX7550
 JDXT7600 JDTX7650
 JDTX7700 JDTX7750



DC / DC ATX 12V TYPE

Specification:

- DC input Voltage: 24V(18V~36V)
28V(18V~36V)
- Efficiency $\geq 85\%$ (24Vdc @25°C, Full Load)
- Low ripple & noise
- Short circuit protection
- Over load and Voltage protection
- Line regulation: $\pm 1\%$ typical
- Load regulation: $\pm 5\%$ typical
- Operating/storage Temp. 0°C~50°C / -40°C~ 65°C
- P/G signal delay: Power on 100~500mS; off > 1mS.
- MTBF: 100K Hrs typical, at 25°C
- EMC: Regulation EN55022 class B
- Dimension: W150 x H86 x D140 mm
- Cooling: 80 x 80 (mm) x 2
- Weight : 2.1kgs

Output List:

Model	Input	Output min./max.A						Total Output Max. (W)
	VDC	+5V	+3.3V	+5V&3.3V	+12V	-12V	+5VSB	
JDTX7400	18~36V	0.2/20A	0.1/24A	120W	0.6/30A	0/0.3A	0/2A	400W
JDTX7460	18~36V	0.2/20A	0.1/24A	120W	0.6/32A	0/0.3A	0/2A	460W
JDTX7500	18~36V	0.2/20A	0.1/24A	130W	0.6/45A	0/0.3A	0.1/2A	500W
JDTX7550	18~36V	1.0/24A	1.5/24A	140W	1.0/54A	0/0.3A	0.1/2A	550W
JDTX7600	18~36V	1.0/24A	1.5/24A	140W	1.0/64A	0/0.3A	0.1/2A	600W
JDTX7650	18~36V	1.0/30A	1.5/24A	150W	1.0/64A	0/0.3A	0.1/2A	650W
JDTX7700	18~36V	1.0/30A	1.5/24A	170W	1.0/64A	0/0.3A	0.1/2A	700W
JDTX7750	18~36V	1.0/30A	1.5/24A	170W	1.0/66A	0/0.3A	0.1/2A	750W

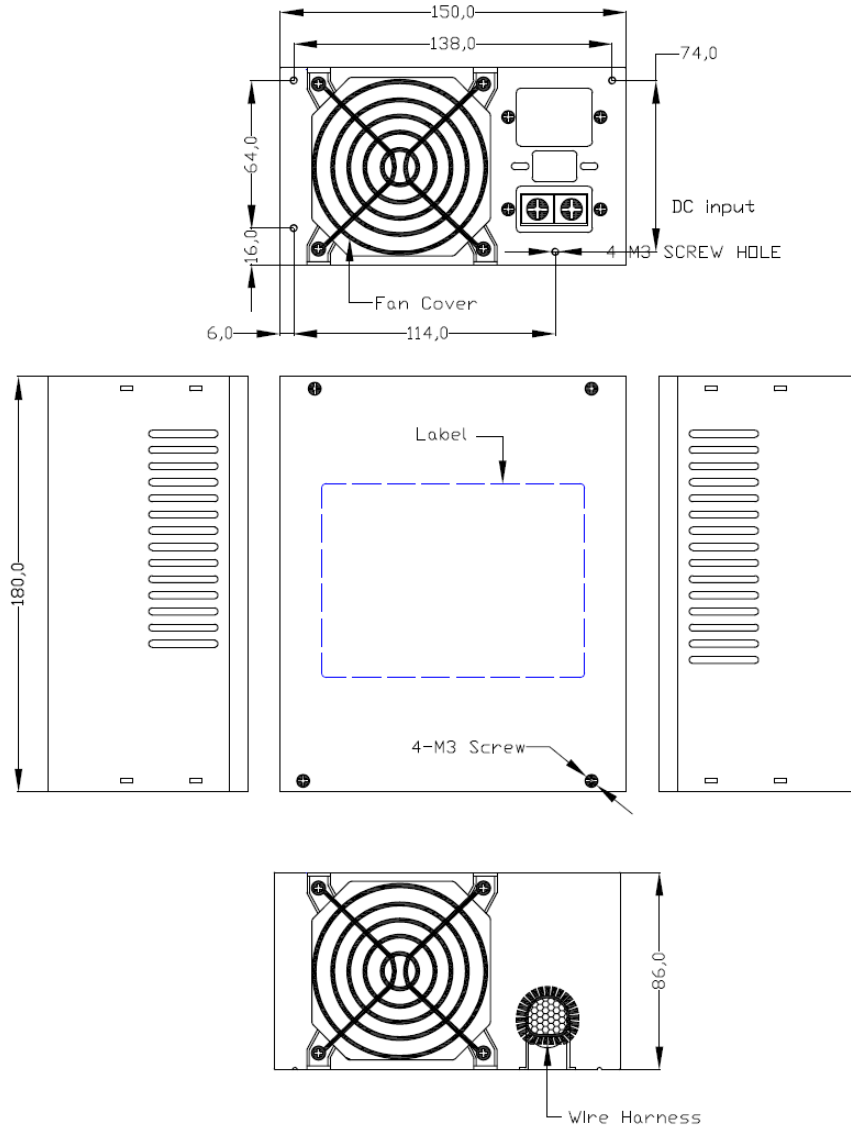
For cars, solar and battery power, airborne, marine vessels, vehicles, tanks

Model:
JDTX7400 JDTX7460
JDTX7500 JDTX7550
JDXT7600 JDTX7650
JDTX7700 JDTX7750



DC / DC ATX 12V TYPE

Mechanical Drawing:

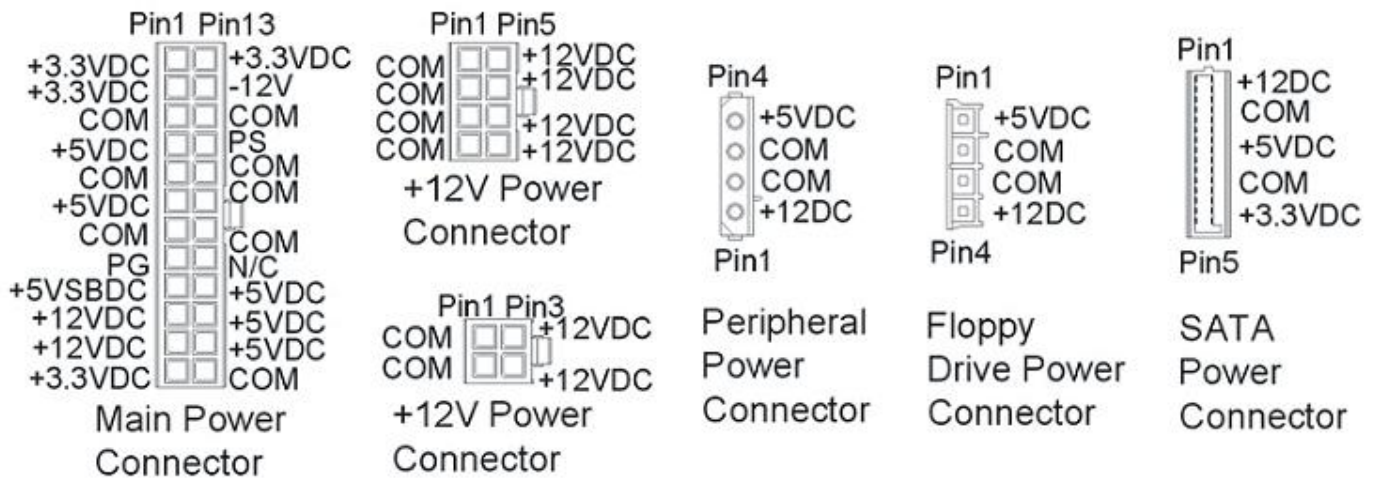


Model:

	JDTX7400	JDTX7460
	JDTX7500	JDTX7550
	JDXT7600	JDTX7650
DC / DC ATX 12V TYPE	JDTX7700	JDTX7750



Wire Harness: JDTX7400-7750



Wiring Length :

- P1 main power connector 24 pins: 500mm
- P2 + P3 peripheral power connectors L4 : 500mm + 140mm
- P4 + P5 peripheral power connectors L4 : 500mm + 140mm
- P6 + P7 peripheral power connector L4 + floppy drive power connector S4 : 500mm + 140mm
- P8 12V-8 power connector : 500mm
- P9 12V-4 power connector : 500mm
- P10 SATA- power connector : 500mm