



DC DC ATX12V TYPE

Specification:

- DC input Voltage: -48V (-54V ~ -36V)
- Typical efficiency: $\geq 75\%$ (Fully Loaded @ -48Vdc, 25°C)
- Low ripple & noise
- Short circuit protection
- Over load and Voltage protection
- Line regulation: $\pm 1\%$ typical
- Load regulation: $\pm 5\%$ typical
- Operating/storage Temp. 0°C~45°C / -40°C~ 50°C
- P/G signal delay: Power on 100~500mS; off > 1mS.
- MTBF: 100K Hrs typical, at 25°C
- Isolation: 3000Vdc
- EMC: regulation CE EMC, FCC part 15 class A
- Dimension: W81.5 x D150 x H40.8 mm (1.6" x 3.2" x 6")
- Cooling: 40 x 40 (mm) Fan
- Weight : 1kg

Output :

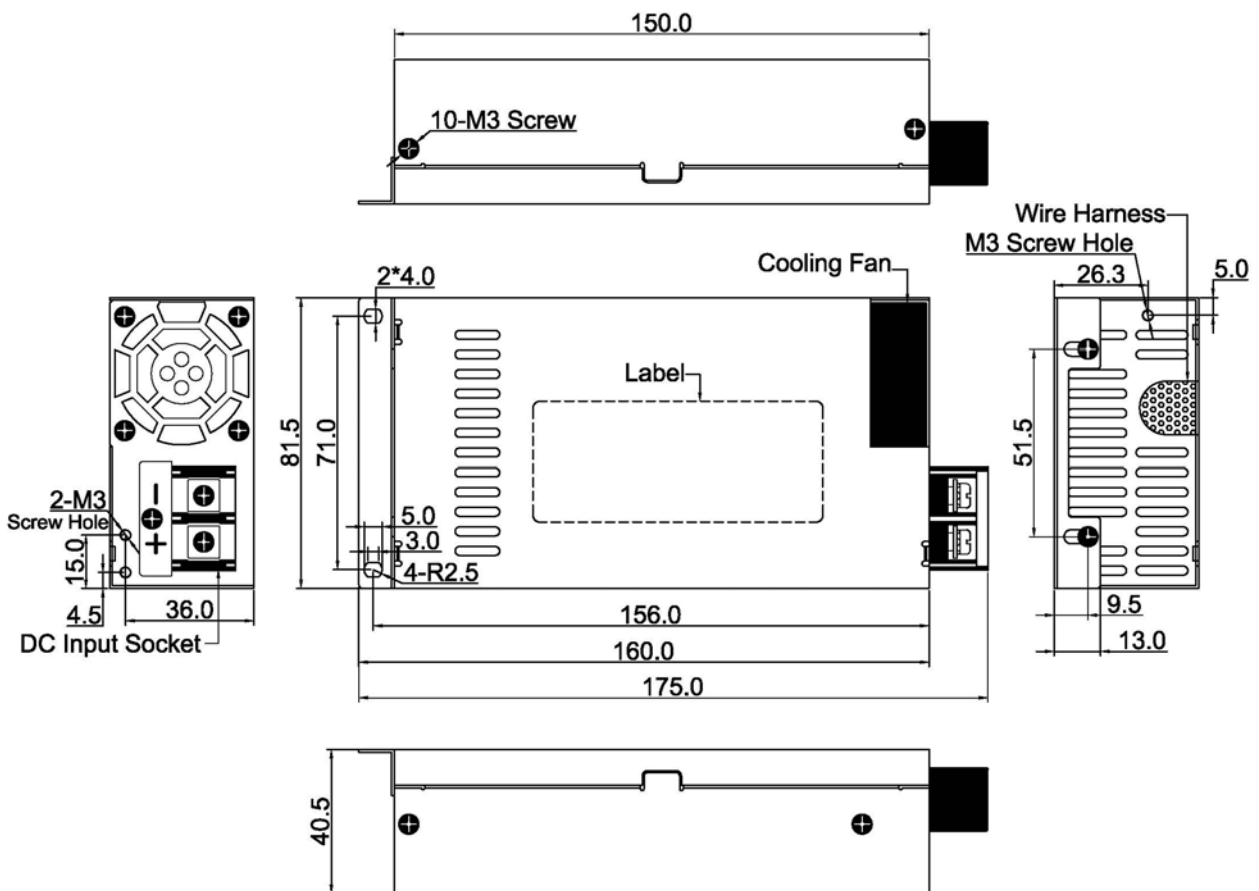
| Model | Input | Output min./max.A | | | | | | Total Output Max. (W) |
|---------|----------|-------------------|---------|------------|---------|--------|-------|-----------------------|
| | VDC | +5V | +3.3V | +5V&3.3V W | +12V | -12V | +5VSB | |
| JDX9160 | -54~-36V | 0.2/14A | 0.1/13A | 80W | 0.6/10A | 0/0.3A | 0/2A | 160W |
| JDX9200 | -54~-36V | 0.2/14A | 0.1/13A | 80W | 0.6/14A | 0/0.3A | 0/2A | 200W |
| JDX9250 | -54~-36V | 0.2/15A | 0.1/19A | 97W | 0.6/17A | 0/0.3A | 0/2A | 250W |
| JDX9300 | -54~-36V | 0.2/15A | 0.1/21A | 103W | 0.6/19A | 0/0.3A | 0/2A | 300W |

For cars, solar and battery power, marine vessels, vehicles



DC DC ATX12V TYPE

Mechanical Drawing:



Inlet Socket:

40A/100V screws with washers.

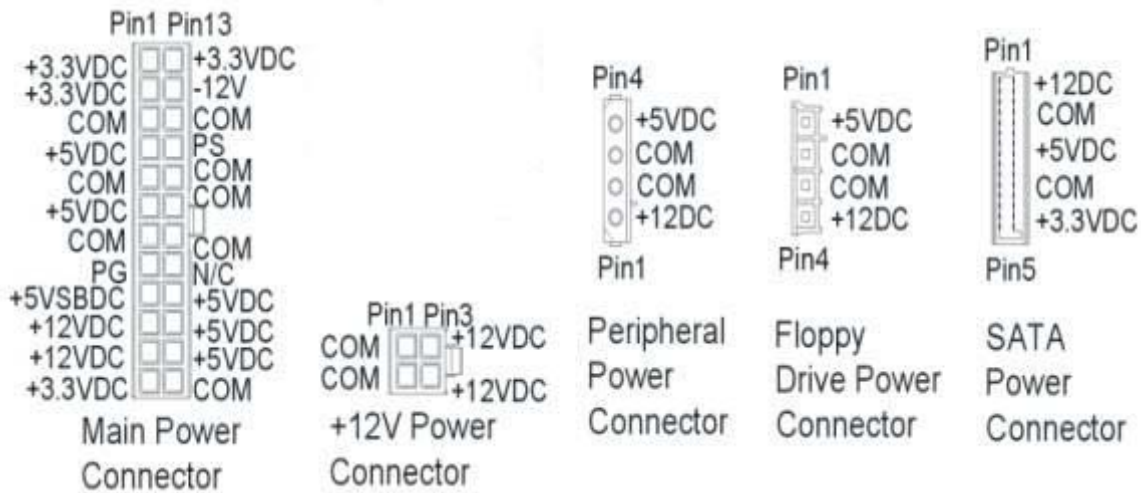
Hole diameter D=4mm.

Model:
JDX9160
JDX9200
JDX9250
JDX9300



DC DC ATX12V TYPE

Wire Connectors:



Wiring Length :

P1 main power connector : 300mm

P2 + P3 peripheral power connectors L4 : 300mm + 140mm

P4 + P5 peripheral power connector L4 +

Floppy drive power connector S4 : 300mm + 140mm

P6 12V power connector : 300mm

SATA x 2 power connector : 300mm +140mm