



Meet ATX 12V. Ver.2.01

Features and Benefit:

Excellent Protection Inside

- On-line UPS function inside
- Ultimate-protection in the power unit
(Avoiding surges, sages and fluctuations)
- Minimizing the “Single-Point-Failures”

High Energy Efficiency

- To avoid energy loss of traditional UPS
- Only one time E-M energy transfer.
- Auto battery recharge

Widely Input and Flexible Output

- AC 115~230V and DC (24V) parallel inputs.
- Batteries extensible and hot-swap
- Ni-MH battery, (option)
- Meet the ATX 12V

Intelligent Control & Monitoring

- USB interface compatibility with O/S:
WINDOWS, LINUX,

Special Predominance

- Battery discharge / charge protection

Specification:

- AC input Voltage:115~230
- AC input frequency: 47~ 63Hz
- Active PFC compliance with EN61000-3-2 D.
- AC efficiency typical: $\geq 76\%$
- DC input Voltage: 24V (20~36V)
- DC efficiency input typical: $\geq 70\%$
- Low ripple & noise
- Short circuit protection
- Over load and Voltage protection
- Dielectric withstand input to ground:1800Vac 1 sec
- Line regulation: $\pm 1\%$ typical
- Load regulation: $\pm 5\%$ typical
- Operating/storage Temp. 0°C~45°C / -40°C~ 50°C
- Hold-up time : $\geq 18\text{mS}$
- P/G signal delay: Power on 100~500mS; off > 1mS.
- MTBF:100K Hrs typical, at 25°C
- EMC: Meet EN55022 class A, EN55024
- Safety meet EN60950
- Dimension: W100 xD200 xH70mm 2U
- Cooling:60 x 60(mm) Fan x 2

Battery Selection



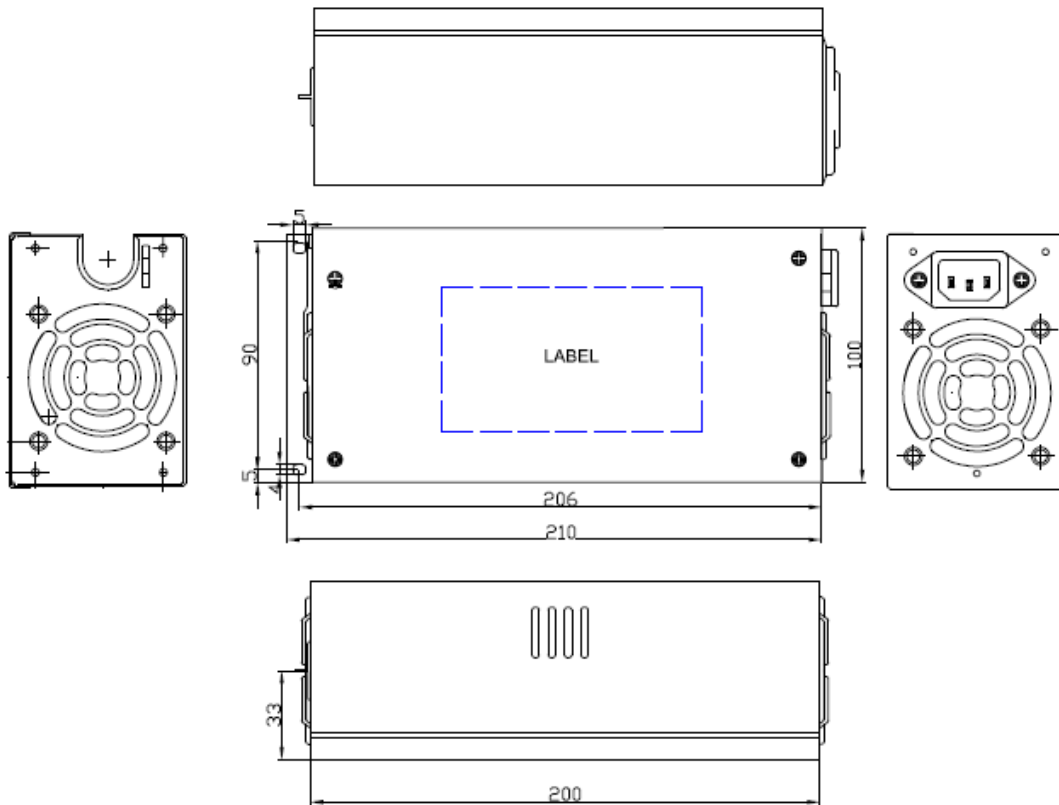
OUTPUT LIST

Model	INPUT		Output min./max. A								Total Output Max. (W)
	Vac	Vdc	+5V	+3.3V	5V & 3.3V	+12V	-12V	+5VSB	Charge 28V	Monitor (Option)	
	V	V	A	A	W	A	A	A	A	A/V	W
JU2X7350	115-230	24	0.2/20A	0.1/21A	103W	0.6/25A	0/0.3A	0/2A	0.5	3.5/12	350
JU2X7400	115-230	24	0.2/20A	0.1/24A	120W	0.6/30A	0/0.3A	0/2A	0.5	3.5/12	400
JU2X7460	115-230	24	0.2/20A	0.1/24A	120W	0.6/32A	0/0.3A	0/2A	0.5	3.5/12	460
JU2X7500	115-230	24	0.2/20A	0.1/24A	130W	0.6/45A	0/0.3A	0.1/2A	0.5	3.5/12	500



Meet ATX 12V. Ver.2.01

Mechanical Drawing:

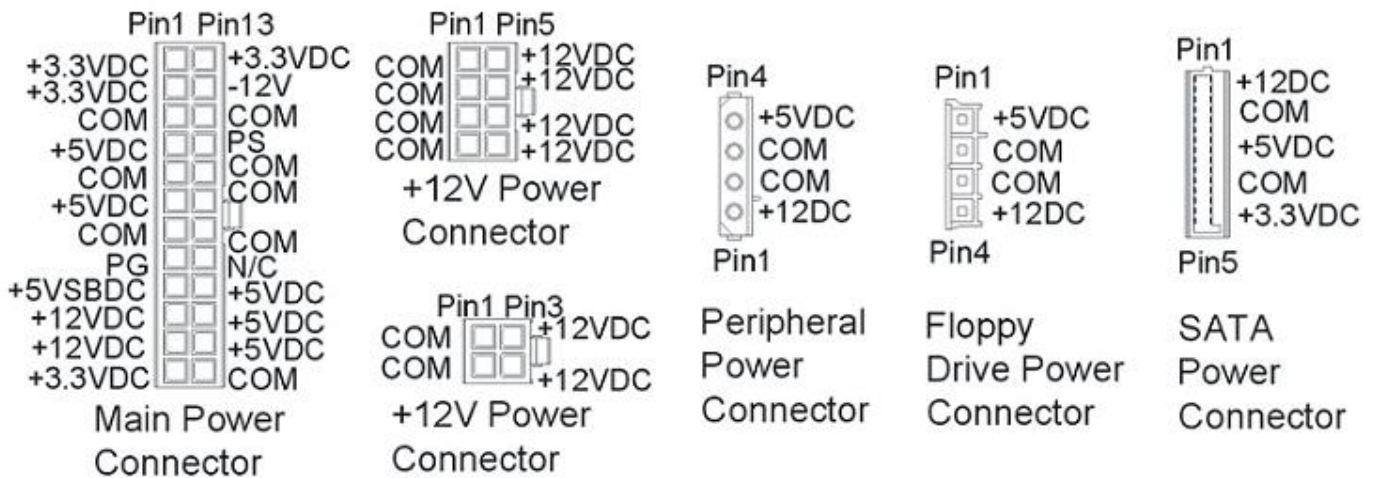




Meet ATX 12V. Ver.2.01

Wire Harness:

For JU2X7400~7500



Wiring Length:

- P1 main power connector 24 pins: 500mm
- P2 + P3 peripheral power connectors L4: 500mm + 140mm
- P4 + P5 peripheral power connectors L4: 500mm + 140mm
- P6 + P7 peripheral power connector L4 + Floppy drive power connector S4: 500mm + 140mm
- P8 12V-8-power connector: 500mm
- P9 12V-4-power connector: 500mm
- SATA- power connector: 500mm