



ATX 12V TYPE

## Features and Benefit:

### Excellent Protection Inside

- On-line UPS function inside
- Ultimate-protection in the power unit  
(Avoiding surges, sages and fluctuations)
- Minimizing the "Single-Point-Failures"

### High Energy Efficiency

- High total energy efficiency
- Only one time E-M energy transfer.
- Auto battery recharge

### Widely Input and Flexible Output

- AC 115~230V and DC (12V) parallel inputs.
- Batteries extensible and hot-swap
- Ni-MH battery, (option)
- Meet the ATX 12V 2.01

### Intelligent Remote Control & Monitoring

- USB interface compatibility with O/S:  
WINDOWS, LINUX,

### Special Predominance

- Battery discharge / charge protection

## Specification:

- AC input Voltage:115~230V
- AC input frequency: 47~ 63Hz
- Active PFC compliance with EN61000-3-2 D.
- AC efficiency typical:  $\geq 75\%$
- DC input Voltage: 12V (10-14V)
- DC efficiency input typical:  $\geq 68\%$
- Low ripple & noise
- Short circuit protection
- Over load and Voltage protection
- Dielectric withstand input to ground:1800Vac 1 sec
- Line regulation:  $\pm 1\%$  typical
- Load regulation:  $\pm 5\%$  typical
- Operating/storage Temp. 0°C~45°C / -40°C~ 50°C
- Hold-up time :  $\geq 18\text{mS}$
- P/G signal delay: Power on 100~500mS; off > 1mS.
- MTBF:100K Hrs typical, at 25°C
- EMC: meet CE EMC, FCC part 15 class A
- Safety meet UL, c-UL, CE LVD
- Dimension: W150 xD140 xH86 mm
- Cooling: 80 x 80mm

## Battery Selection



## JUTX5160-5200

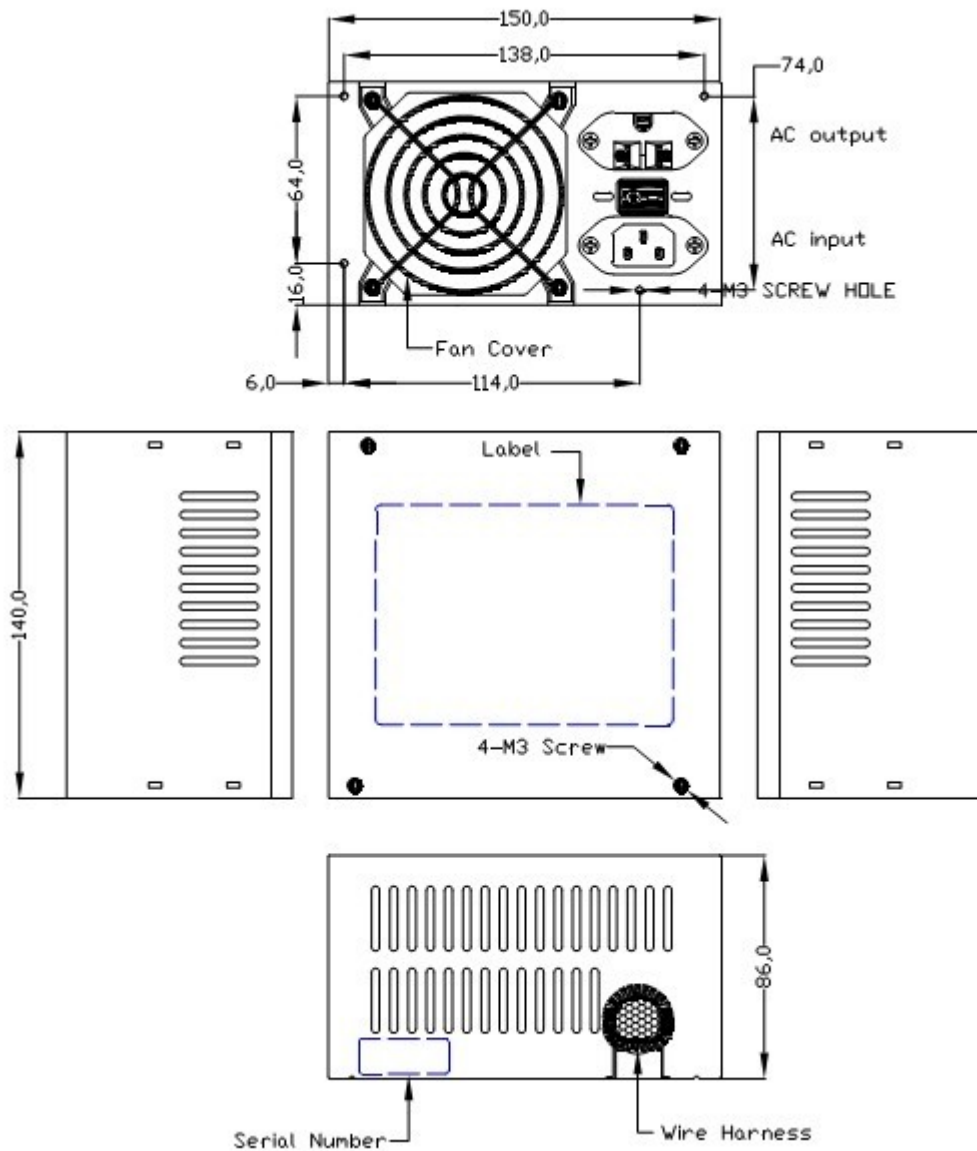
## Output

Model	INPUT		Output min./max.A								Monitor (Option)	Total Output Max.(W)
	Vac	Vdc	+ 5V	+3.3V	5V & 3.3V	+12V	-12V	+5VSB	charge 14V	A / AC		
	V	V	A	A	W	A	A	A	A	A	W	
JUTX5160	115-230	12	0.2/14A	0.1/13A	80W	0.6/10A	0/0.3A	0/2A	0.5	1	160	
JUTX5200	115-230	12	0.2/14A	0.1/13A	80W	0.6/14A	0/0.3A	0/2A	0.5	1	200	



ATX 12V TYPE

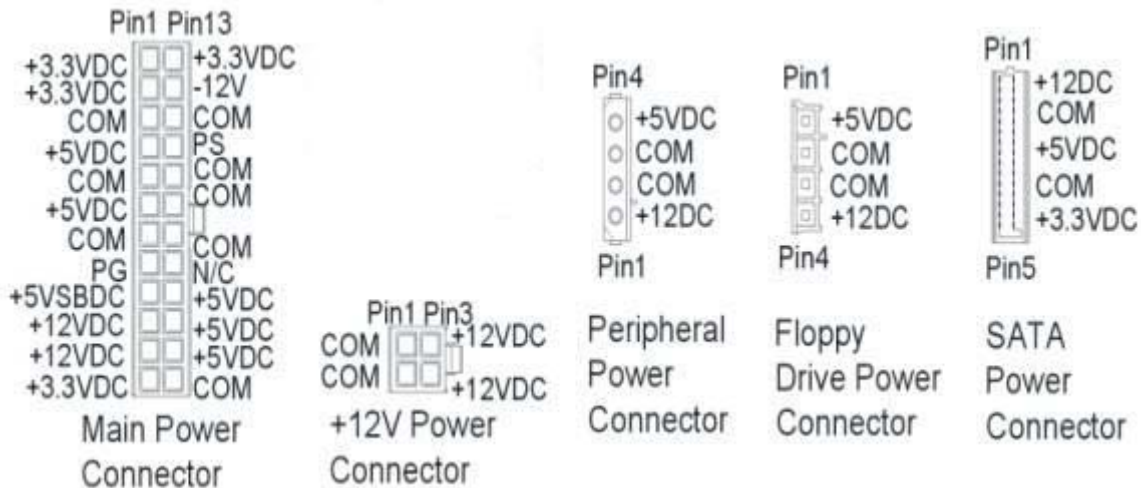
**Mechanical Drawing:**





ATX 12V TYPE

**Wire Harness:**



**Wiring Length :**

- P1 main power connector : 300mm
- P2 + P3 peripheral power connectors L4 : 300mm + 140mm
- P4 + P5 peripheral power connector L4 + Floppy drive power connector S4 : 300mm + 140mm
- P6 12V power connector : 300mm
- SATA x 2 power connector : 300mm +140mm