



Features and Benefit:

Excellent Protection Inside

- On-line UPS function inside
- Ultimate-protection in the power unit
(Avoiding surges, sages and fluctuations)
- Minimizing the "Single-Point-Failures"

High Energy Efficiency

- To avoid energy loss of traditional UPS
- Only one time E-M energy transfer.
- Auto battery recharge

Widely Input and Flexible Output

- AC 115~230V and DC (24V) parallel inputs.
- Batteries extensible and hot-swap
- Ni-MH battery, (option)
- Support 19" LCD monitor w/AC & Vdc high.

Intelligent Control & Monitoring

- USB interface compatibility with O/S:
WINDOWS, LINUX,

Special Predominance

- Battery discharge / charge protection

Specification:

- AC input Voltage:115~230V
- AC input frequency: 47~ 63Hz
- Active PFC compliance with EN61000-3-2 D.
- AC efficiency typical: $\geq 78\%$
- DC input Voltage:24V (20~36V)
- DC efficiency input typical: $\geq 68\%$
- Low ripple & noise
- Short circuit protection
- Over load and Voltage protection
- Dielectric withstand input to ground:1800Vac 1 sec
- Line regulation: $\pm 1\%$ typical
- Load regulation: $\pm 5\%$ typical
- Operating/storage Temp. $0^{\circ}\text{C} \sim 45^{\circ}\text{C}$ / $-40^{\circ}\text{C} \sim 50^{\circ}\text{C}$
- Hold-up time : $\geq 18\text{mS}$ (without Battery)
- P/G signal delay: Power on 100~500mS; off $> 1\text{mS}$.
- MTBF:100K Hrs typical, at 25°C
- EMC: Meet EN55022 class A, EN55024
- Safety: Meet EN60950
- Dimension: W150 xD180 xH86 mm
- cooling: 80mm x 80mm Fan x 2
- Weight: 2.2kgs

Battery Selection



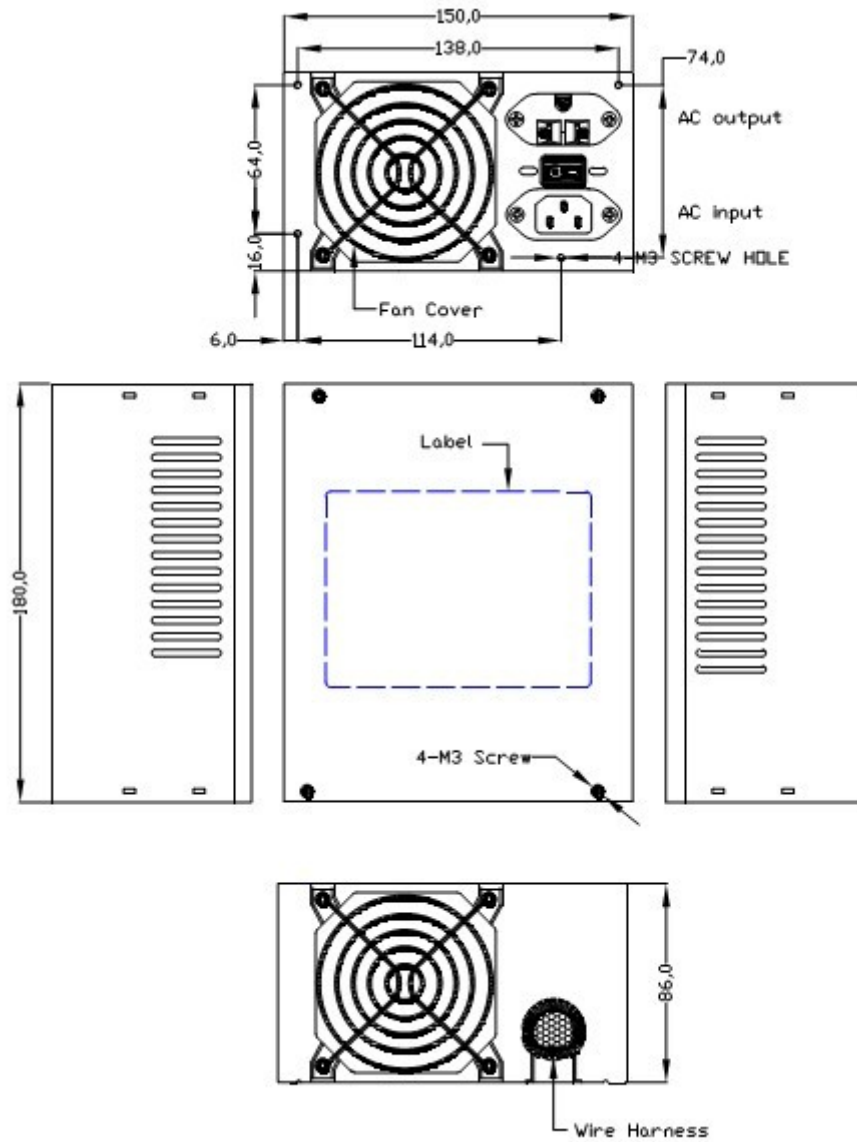
JUTX7350~JUTX7500

Output List

Model	INPUT		Output min./max. A								
	Vac	Vdc	+ 5V	+3.3V	5V & 3.3V	+12V	-12V	+5VSB	Charge 28V	Monitor (Option)	Total Output Max. (W)
	V	V	A	A	W		A	A	A	A / AC	W
JUTX7350	115-230	24	0.2/20A	0.1/21A	103W	0.6/25A	0/0.3A	0/2A	0.5	1	350
JUTX7400	115-230	24	0.2/20A	0.1/24A	120W	0.6/30A	0/0.3A	0/2A	0.5	1	400
JUTX7460	115-230	24	0.2/20A	0.1/24A	120W	0.6/32A	0/0.3A	0/2A	0.5	1	460
JUTX7500	115-230	24	0.2/20A	0.1/24A	130W	0.6/45A	0/0.3A	0/2A	0.5	1	500



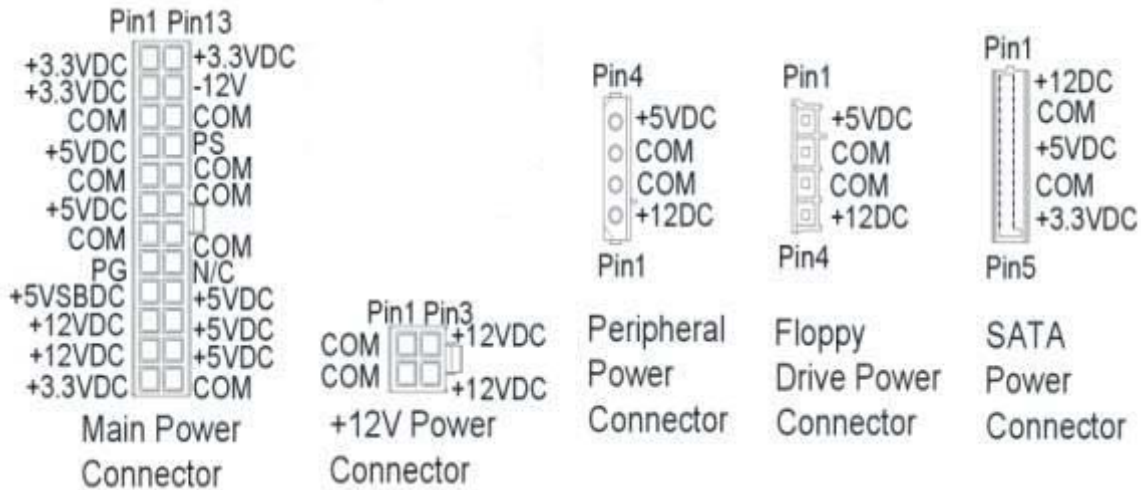
Mechanical Drawing





Wire Harness:

For JUTX7350



Wiring Length:

P1 main power connector: 300mm

P2 + P3 peripheral power connectors L4: 300mm + 140mm

P4 + P5 peripheral power connector L4 +

Floppy drive power connector S4: 300mm + 140mm

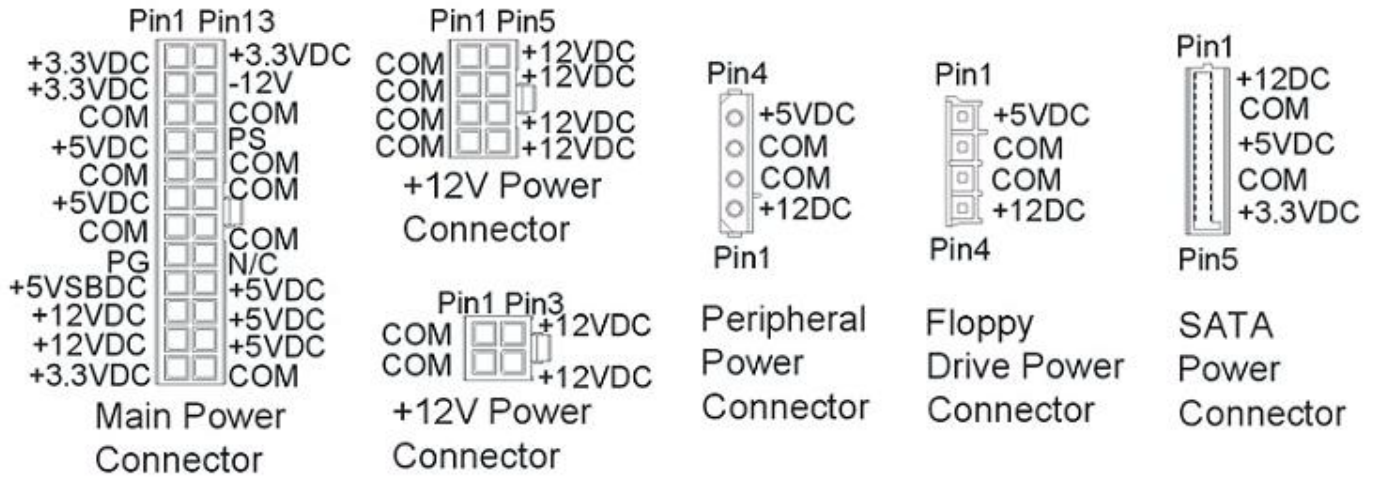
P6 12V power connector: 300mm

SATA x 2-power connector: 300mm +140mm



Wire Harness:

For JUTX7400-JUTX7500



Wiring Length:

P1 main power connector 24 pins: 500mm

P2 + P3 peripheral power connectors L4: 500mm + 140mm

P4 + P5 peripheral power connectors L4: 500mm + 140mm

P6 + P7 peripheral power connector L4 +

Floppy drive power connector S4: 500mm + 140mm

P8 12V-8 power connector: 500mm

P9 12V-4 power connector : 500mm

P10 SATA- power connector: 500mm