



**DC / DC ATX 12V TYPE**

**Specification:**

- DC input Voltage: 12Vdc (9V~18V)
- Efficiency  $\geq 80\%$  (12Vdc @25°C, Full set load)
- Low ripple & noise
- Short circuit protection
- Over load and Voltage protection
- Line regulation:  $\pm 1\%$  typical
- Load regulation:  $\pm 5\%$  typical
- Operating/storage Temp. 0°C~45°C / -50°C~ 50°C
- P/G signal delay: Power on 100~500mS; off > 1mS.
- MTBF: 100K Hrs typical, at 25°C
- EMC: Meet CE EMC, FCC part 15 class A
- Safety: Meet UL, c-UL, CE LVD CCC
- Dimension: W100 xD200 xH70 mm for 2U chassis
- Cooling: 60 x 60 (mm) x 2

**Output List**

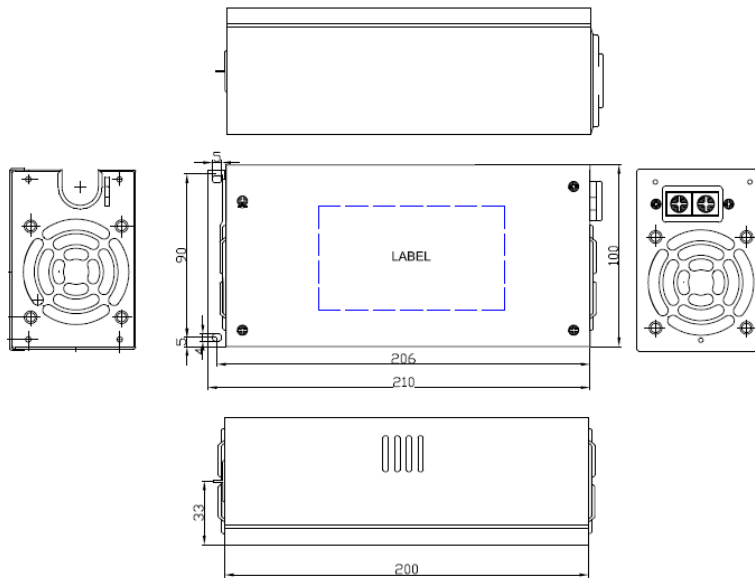
Model	Input	Output min./max.A						Total Output Max.(W)
	VDC	+5V	+3.3V	+5V&3.3V	+12V	-12V	+5VSB	
JD2X5250	9~18V	0.2/15A	0.1/19A	97W	0.6/17A	0/0.3A	0/2A	250W
JD2X5300	9~18V	0.2/15A	0.1/21A	103W	0.6/19A	0/0.3A	0/2A	300W
JD2X5350	9~18V	0.2/20A	0.1/21A	103W	0.6/25A	0/0.3A	0/2A	350W

For cars, solar and battery power airborne marine vessels vehicles, tanks



DC / DC ATX 12V TYPE

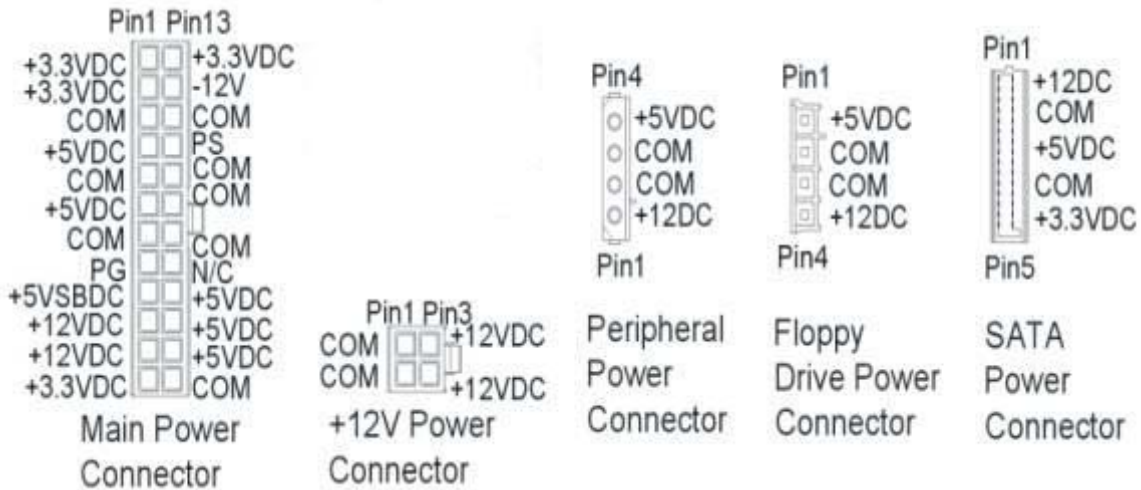
**Mechanical Drawing:**





**DC / DC ATX 12V TYPE**

**Wire Harness:**



**Wiring Length :**

P1 main power connector : 300mm

P2 + P3 peripheral power connectors L4 : 300mm + 140mm

P4 + P5 peripheral power connector L4 +

Floppy drive power connector S4 : 300mm + 140mm

P6 12V power connector : 300mm

SATA x 2 power connector : 300mm +140mm