



Specification:

- DC input Voltage: 24Vdc (18V~36V)
28Vdc (18V~36V)
- Efficiency $\geq 80\%$ (24Vdc @25°C Full set load)
- Non-isolation between primary and secondary
- Low ripple & noise
- Short circuit protection
- Over load and Voltage protection
- Non-isolation between primary and secondary
- Line regulation: $\pm 1\%$ typical
- Load regulation: $\pm 5\%$ typical
- Operating/storage Temp. 0°C~45°C / -40°C~ 65°C
- P/G signal delay: Power on 100~500mS; off > 1mS.
- MTBF: 100K Hrs typical, at 25°C
- EMC: Meet EN55022 class A EN55024
- Safety: Meet EN60950
- Dimension: W100 x H72 x D200 mm
- Cooling: 60 x 60 (mm): dual fans
- Weight: 2kgs

Output List

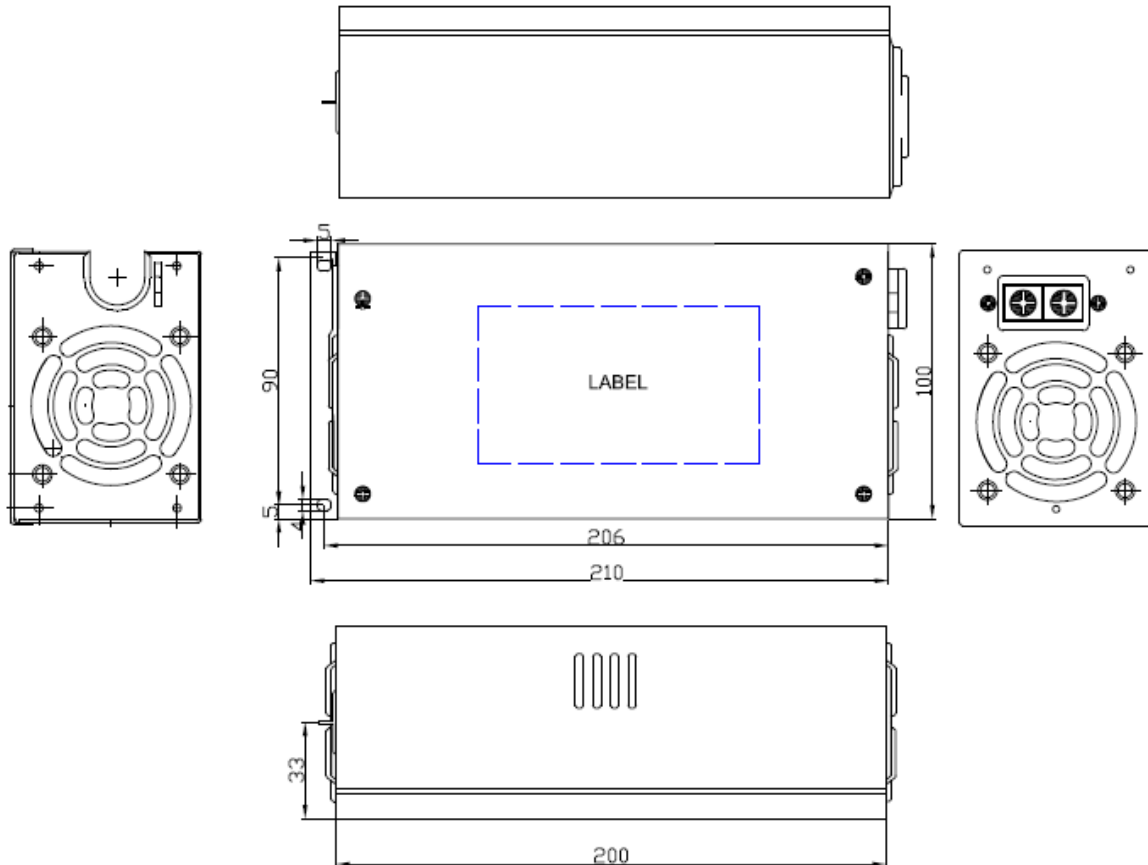
Model	Input	Output min./max. A						Total Output Max. (W)
	VDC	+5V	+3.3V	+5V&3.3V	+12V	-12V	+5VSB	
JD2X7400	18~32V	0.2/20A	0.1/24A	120W	0.6/30A	0/0.3A	0/2A	400W
JD2X7460	18~36V	0.2/20A	0.1/24A	120W	0.6/32A	0/0.3A	0/2A	460W
JD2X7500	18~36V	0.2/20A	0.1/24A	130W	0.6/45A	0/0.3A	0.1/2A	500W
JD2X7550	18~36V	1.0/24A	1.5/24A	140W	1.0/54A	0/0.3A	0.1/2A	550W
JD2X7600	18~36V	1.0/24A	1.5/24A	140W	1.0/64A	0/0.3A	0.1/2A	600W

Model:
JD2X7400 JD2X7460
JD2X7500 JD2X7550
JD2X7600



DC / DC ATX 12V TYPE

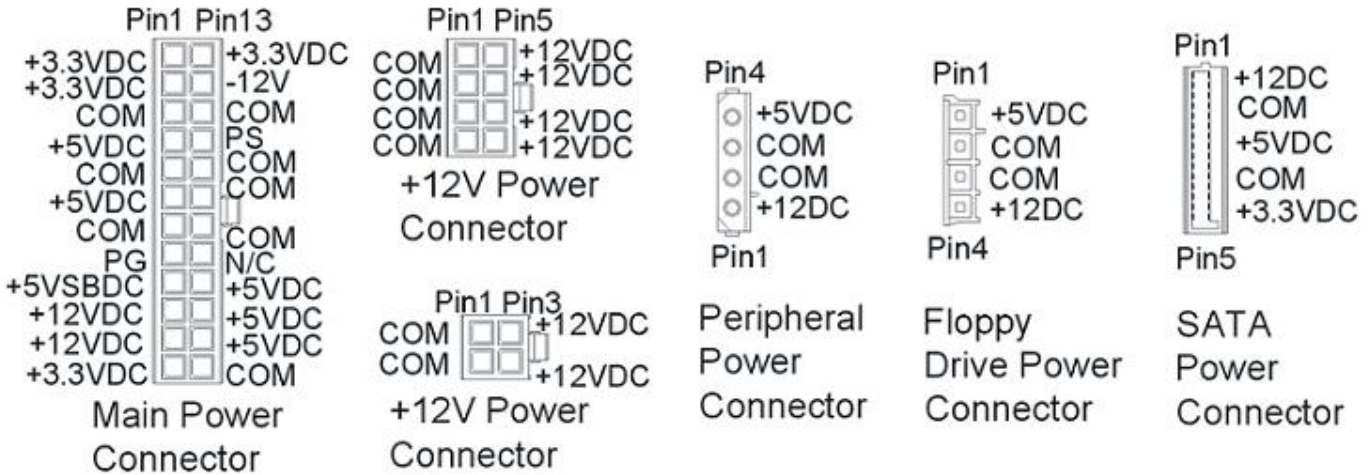
Mechanical Drawing:





DC / DC ATX 12V TYPE

Wire Harness: JDTX7460-7600



Wiring Length :

P1 main power connector 24 pins: 500mm

P2 + P3 peripheral power connectors L4 : 500mm + 140mm

P4 + P5 peripheral power connectors L4 : 500mm + 140mm

P6 + P7 peripheral power connector L4 +

floppy drive power connector S4 : 500mm + 140mm

P8 12V-8 power connector : 500mm

P9 12V-4 power connector : 500mm

P10 SATA- power connector : 500mm