



DC / DC ATX 12V TYPE

Specification:

- DC input Voltage:24V or 28V (18V~36V)
- Efficiency $\geq 80\%$, typical load@24Vdc , 25°C
- Non-isolation between primary and secondary
- Low ripple & noise
- Short circuit protection
- Over load and Voltage protection
- Line regulation: $\pm 1\%$ typical
- Load regulation: $\pm 5\%$ typical
- Operating/storage Temp. 0°C~45°C / -40°C~ 65°C
- P/G signal delay: Power on 100~500mS; off > 1mS.
- MTBF:100K Hrs typical, at 25°C
- EMC: Meet EN55022 class A EN55024
- Safety: Meet EN60950
- Dimension: W100 x D200 xH40mm for 1U chassis
- Cooling:40 x 40 (mm) Fan X 1
- Weight: 1.75kgs

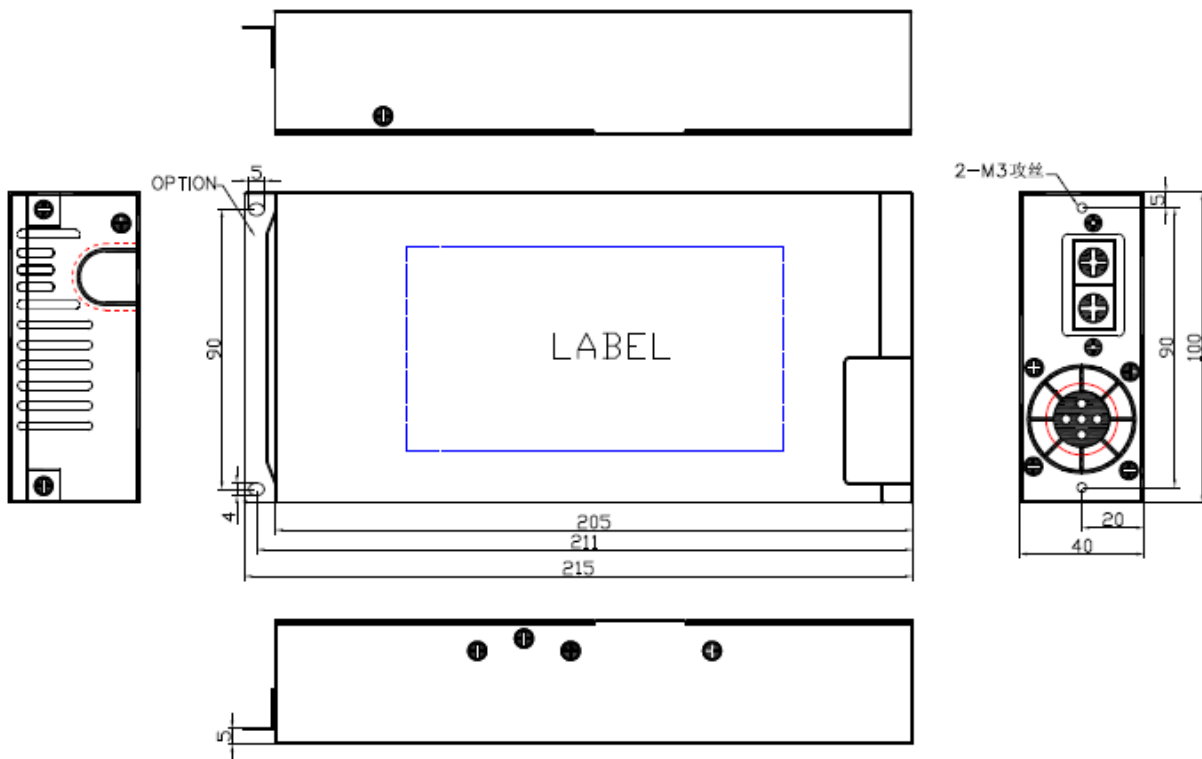
Model JDIX 7160-7300 Output List

Model	Input	Output min./max.A						Total Output Max.(W)
	VDC	+5V	+3.3V	+5V&3.3V	+12V	-12V	+5VSB	
JDIX7160	18~36V	0.2/14A	0.1/13A	80W	0.6/10A	0/0.3A	0/2A	160W
JDIX7200	18~36V	0.2/14A	0.1/13A	80W	0.6/14A	0/0.3A	0/2A	200W
JDIX7250	18~36V	0.2/15A	0.1/19A	97W	0.6/17A	0/0.3A	0/2A	250W
JDIX7300	18~36V	0.2/15A	0.1/21A	103W	0.6/19A	0/0.3A	0/2A	300W



DC / DC ATX 12V TYPE

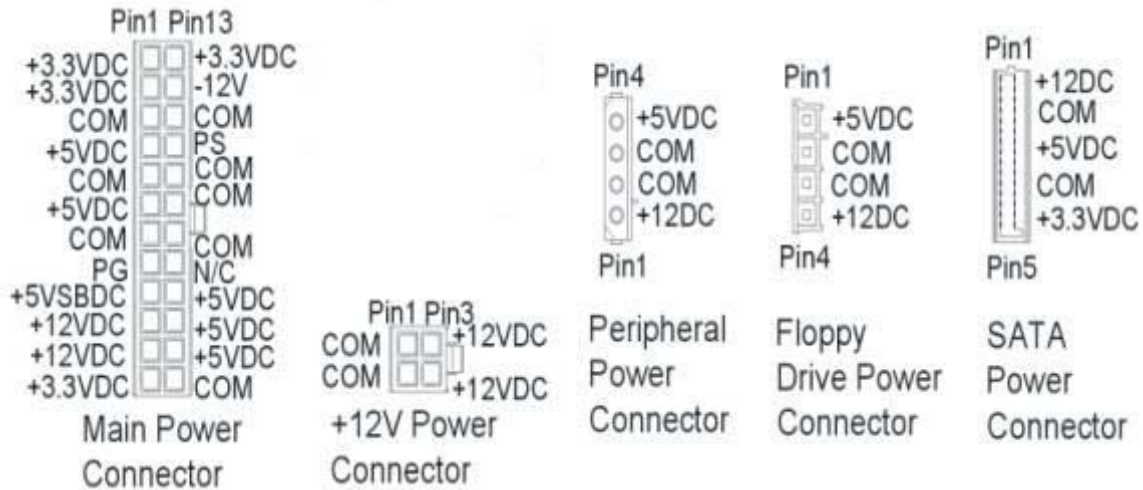
Mechanical Drawing:





DC / DC ATX 12V TYPE

Wiring & Connectors:



Wiring Length:

P1 main power connector: 300mm

P2 + P3 peripheral power connectors L4: 300mm + 140mm

P4 + P5 peripheral power connector L4 +

Floppy drive power connector S4: 300mm + 140mm

P6 12V power connector: 300mm

SATA x 2 power connector : 300mm +140mm