



Specification:

- DC input Voltage: 24V (18V~36V)
28V (18V~36V)
- Efficiency $\geq 80\%$, typical load@24Vdc, 25°C
- Non-isolation between primary and secondary
- Low ripple & noise
- Short circuit protection
- Over load and Voltage protection
- Line regulation: $\pm 1\%$ typical
- Load regulation: $\pm 5\%$ typical
- Operating/storage Temp. 0°C~45°C / -40°C~ 65°C
- P/G signal delay: Power on 100~500mS; off > 1mS.
- MTBF: 100K Hrs typical, at 25°C
- EMC: Meet EN55022 class A EN55024
- Safety: Meet EN60950
- Dimension: W100 x D240 xH40.6mm for 1U chassis
- Cooling: 40 x 40 (mm) x 2
- Weight: 1.8kgs

Model JDIX7350-7500

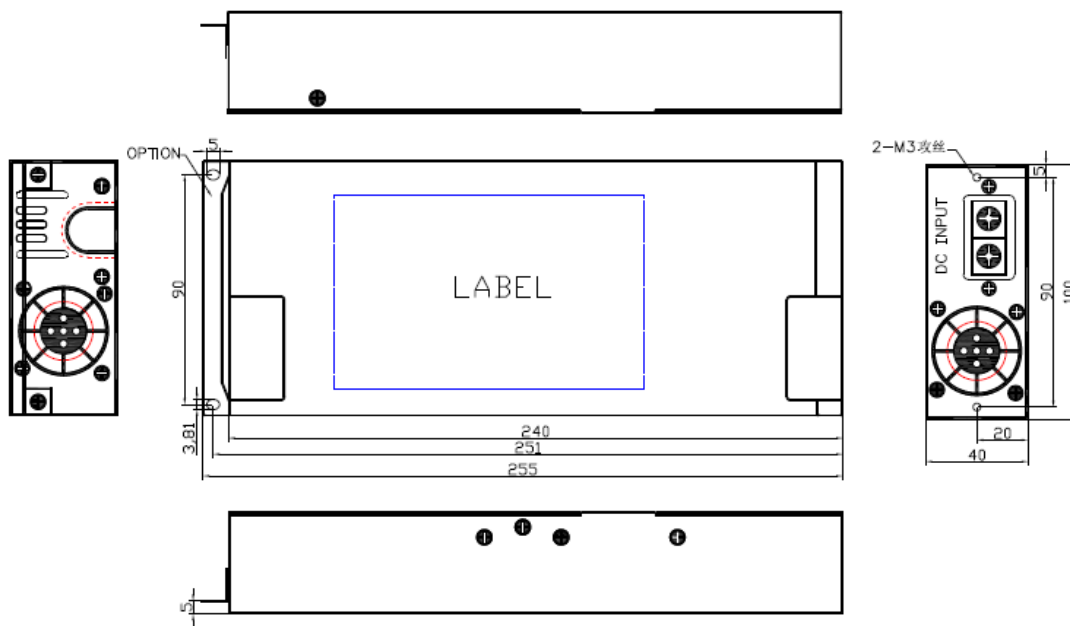
Output List

Model	Input	Output min./max.A						Total Output Max.(W)
	VDC	+5V	+3.3V	+5V&3.3V	+12V	-12V	+5VSB	
JDIX7350	18~36V	0.2/20A	0.1/21A	103W	0.6/25A	0/0.3A	0/2A	350W
JDIX7400	18~36V	0.2/20A	0.1/24A	120W	0.6/30A	0/0.3A	0/2A	400W
JDIX7460	18~36V	0.2/20A	0.1/24A	120W	0.6/32A	0/0.3A	0/2A	460W
JDIX7500	18~36V	0.2/20A	0.1/24A	130W	0.6/45A	0/0.3A	0.1/2A	500W



DC / DC ATX 12V TYPE

Mechanical Drawing:

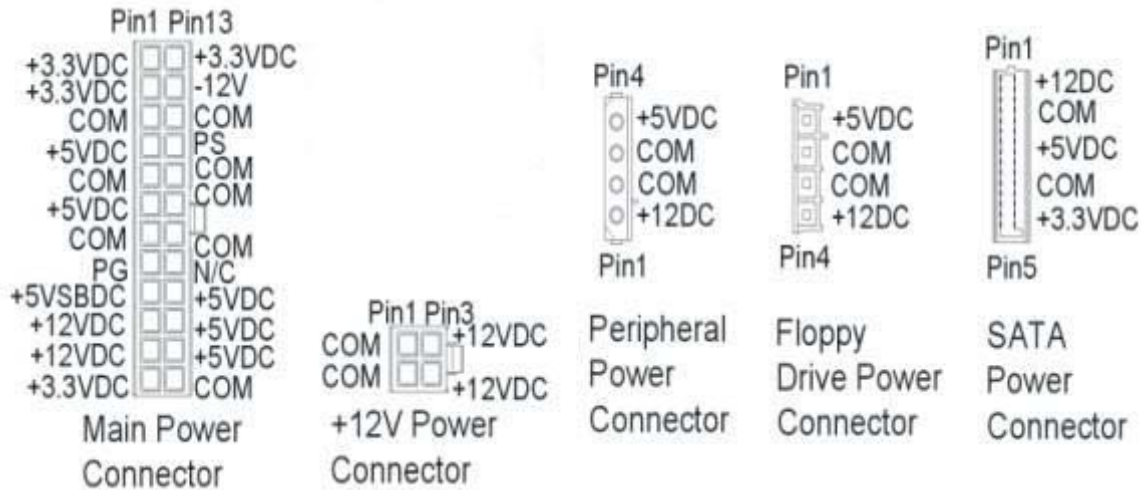




DC / DC ATX 12V TYPE

Wire Connectors:

For JDIX 7350



Wiring Length:

P1 main power connector: 300mm

P2 + P3 peripheral power connectors L4: 300mm + 140mm

P4 + P5 peripheral power connector L4 +

Floppy drive power connector S4: 300mm + 140mm

P6 12V power connector: 300mm

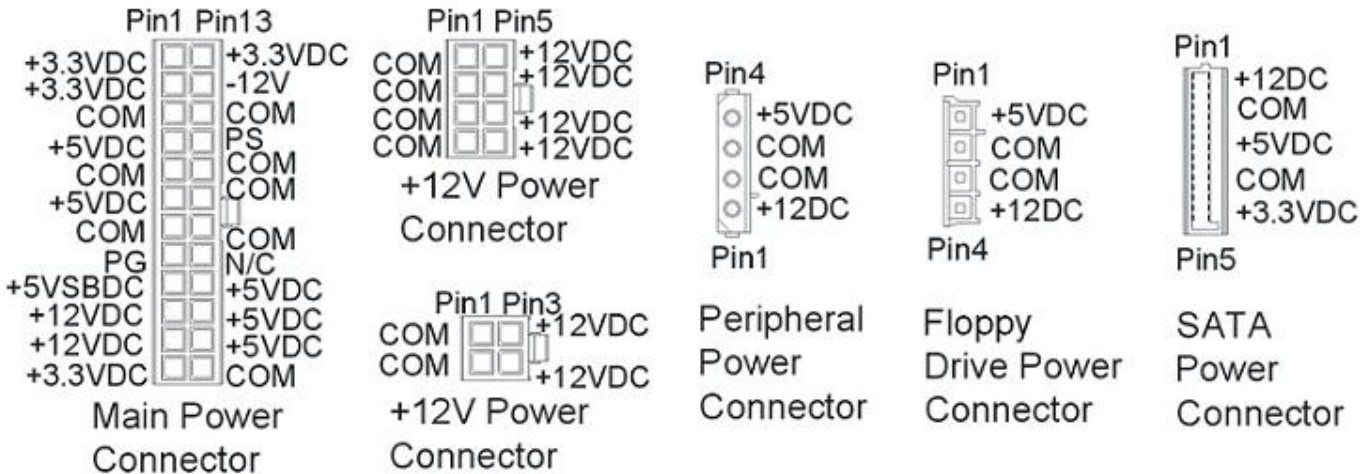
SATA x 2 power connector : 300mm +140mm



DC / DC ATX 12V TYPE

Wire Connectors:

For JDIX7400,460,500



Wiring Length :

P1 main power connector 24 pins: 500mm

P2 + P3 peripheral power connectors L4 : 500mm + 140mm

P4 + P5 peripheral power connectors L4 : 500mm + 140mm

P6 + P7 peripheral power connector L4 +

Floppy drive power connector S4 : 500mm + 140mm

P8 12V-8 power connector : 500mm

P9 12V-4 power connector : 500mm

P10 SATA- power connector : 500mm