



**DC/DC ATX 12V TYPE**

**Specification:**

- DC input Voltage:12V~24V ( 9V ~ 32V)
- Typical efficiency:  $\geq 75\%$  (Fully Loaded @ 12Vdc, 25°C)
- Non-isolation between primary and secondary
- Low ripple & noise
- Short circuit protection
- Over load and Voltage protection
- Line regulation:  $\pm 1\%$  typical
- Load regulation:  $\pm 5\%$  typical
- Operating/storage Temp. 0°C~45°C / -40°C~ 50°C
- P/G signal delay: Power on 100~500mS; off > 1mS.
- MTBF:100K Hrs typical, at 25°C
- EMC: CE EN55022 A EN55024
- Safety: Meet EN60950
- Dimension: W81.5 x H40.8 x D150 mm (3.2" x 1.6" x 6")
- Cooling: 40 x 40 (mm) Fan
- Weight : 1.03kgs

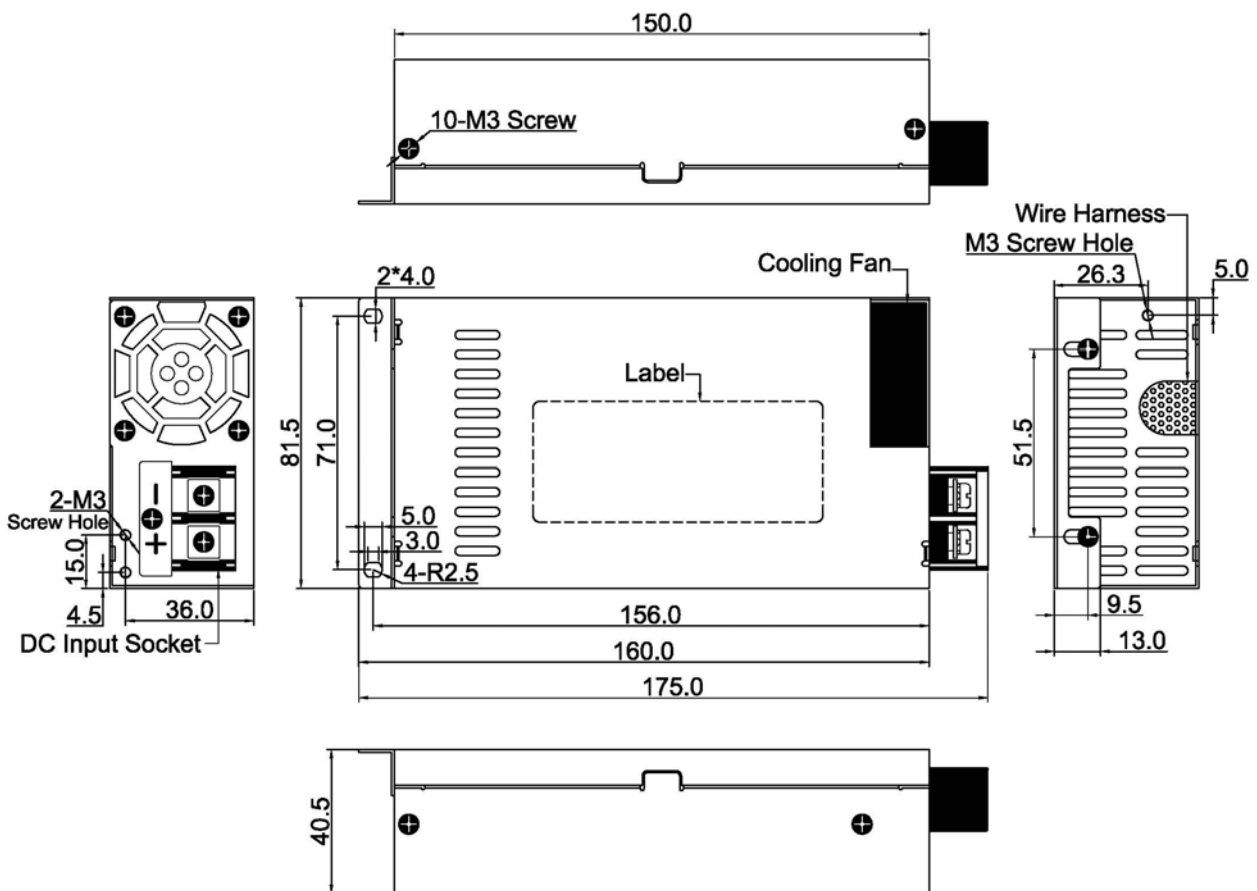
**Output List**

Model	Input	Output min./max.A						Total Output Max.(W)
	VDC	+5V	+3.3V	+5V&3.3V W	+12V	-12V	+5VSB	
JDX57160	12V ~ 24	0.2/14A	0.1/13A	80W	0.6/10A	0/0.3A	0/2A	160W
JDX57200	12V ~ 24	0.2/14A	0.1/13A	80W	0.6/14A	0/0.3A	0/2A	200W



**DC/DC ATX 12V TYPE**

**Mechanical Drawing:**



**Inlet Socket:**

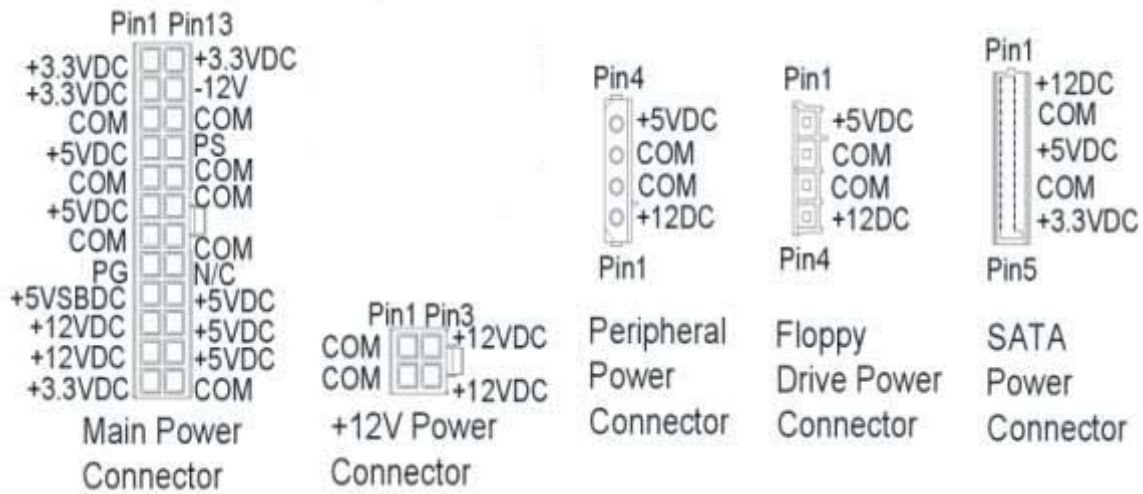
**40A/100V M4 screws with washers.**

**Hole diameter D=4mm.**



**DC/DC ATX 12V TYPE**

**Wire Connectors:**



**Wiring Length :**

P1 main power connector : 300mm

P2 + P3 peripheral power connectors L4 : 300mm + 140mm

P4 + P5 peripheral power connector L4 +

Floppy drive power connector S4 : 300mm + 140mm

P6 12V power connector : 300mm

SATA x 2 power connector : 300mm +140mm