



**DC DC ATX12V TYPE**

**Specification:**

- DC input Voltage:24V ( 18V ~ 36V)
- Typical efficiency:≥80% (Fully Loaded @ 24Vdc, 25°C)
- Non-isolation between primary and secondary
- Low ripple & noise
- Short circuit protection
- Over load and Voltage protection
- Line regulation:±1%typical
- Load regulation:±5%typical
- Operating/storage Temp. 0°C~45°C / -40°C~ 50°C
- P/G signal delay: Power on 100~500mS; off>1mS.
- MTBF:100K Hrs typical, at 25°C
- EMC: CE EN55022 A EN55024
- Safety: Meet EN60950
- Dimension: W81.5 x D150 x H40.8 mm ( 1.6" x 3.2" x 6" )
- Cooling: 40 x 40 (mm) Fan
- Weight : 1kg

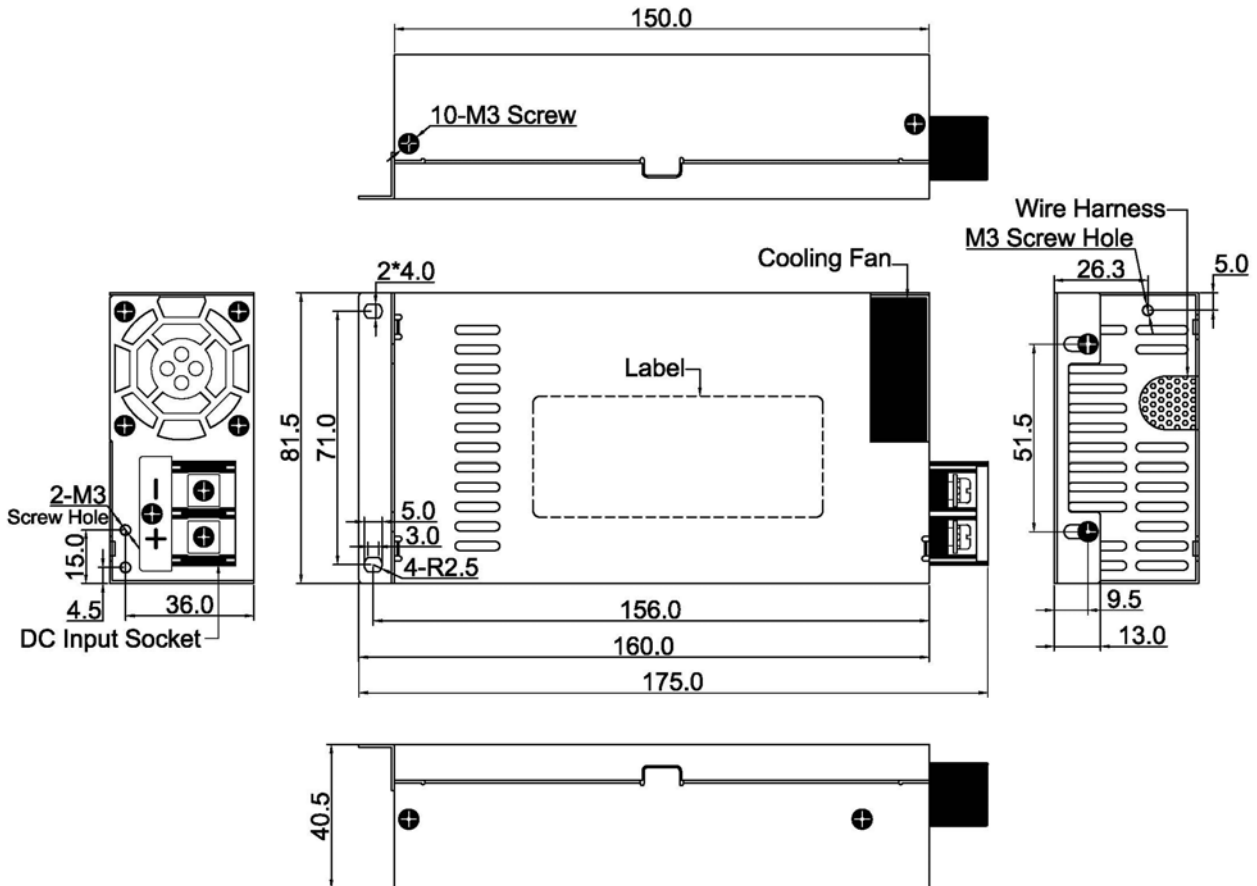
**Output :**

Size/Cooling	Model	Input	Output min./max.A					Total Output Max.(W)	
		VDC	+5V	+3.3V	+5V&3.3V W	+12V	-12V		+5VSB
81.5x40.5x150mm 3.2" x 1.6" x 6" 1Fan	JDX7160	18~36V	0.2/14A	0.1/13A	80W	0.6/10A	0/0.3A	0/2A	160W
	JDX7200	18~36V	0.2/14A	0.1/13A	80W	0.6/14A	0/0.3A	0/2A	200W
	JDX7250	18~36V	0.2/15A	0.1/19A	97W	0.6/17A	0/0.3A	0/2A	250W
	JDX7300	18~36V	0.2/15A	0.1/21A	103W	0.6/19A	0/0.3A	0/2A	300W



**DC DC ATX12V TYPE**

Mechanical Drawing:



Inlet Socket:

40A/100V screws with washers.

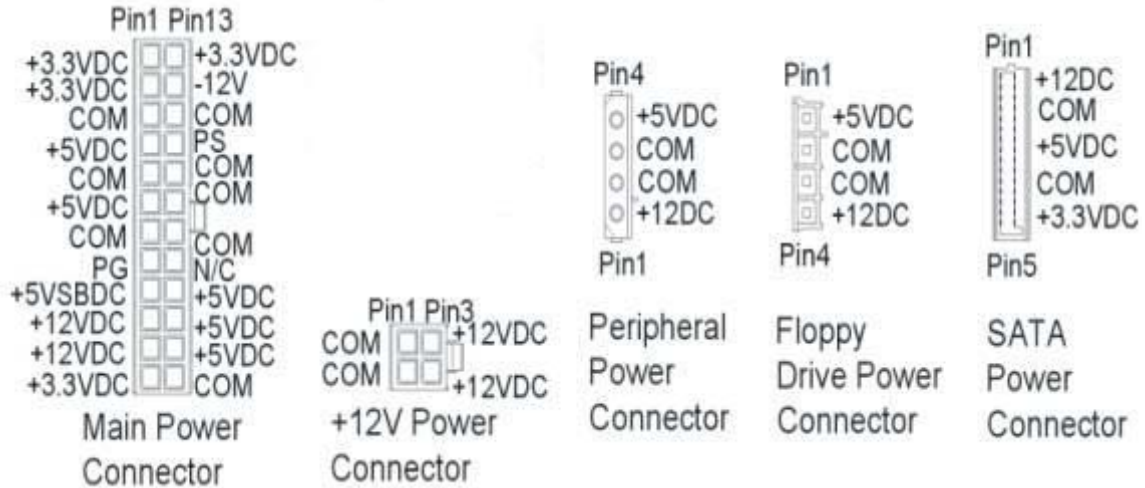
Hole diameter D=4mm.

**Model:**  
**JDX7160**  
**JDX7200**  
**JDX7250**  
**JDX7300**



**DC DC ATX12V TYPE**

**Wire Connectors:**



**Wiring Length :**

P1 main power connector : 300mm

P2 + P3 peripheral power connectors L4 : 300mm + 140mm

P4 + P5 peripheral power connector L4 +

Floppy drive power connector S4 : 300mm + 140mm

P6 12V power connector : 300mm

SATA x 2 power connector : 300mm +140mm