



ATX 12V TYPE

Features and Benefit:

Excellent Protection Inside

- On-line UPS function inside
Ultimate-protection in the power unit
(Avoiding surges, sages and fluctuations)
- Minimizing the “Single-Point-Failures”

High Energy Efficiency

- High total energy efficiency
- Only one E-M energy transfer for invert.
- Auto battery charger inside

Widely Input and Flexible Output

- DC 110V and DC 12V parallel inputs.
- Batteries extensible and hot-swap
- Ni-MH battery, (option)
- Meet the ATX 12V 2.01

Intelligent Monitoring

- Software interface compatibility with Windows,
With a USB interface (optional)

Special Predominance

- Battery discharge / charge protection

Specification:

- Main DC input Voltage:110V (80V~140V)
- SUB DC input Voltage :12V (10V~14V)
- DC 110V efficiency typical: $\geq 75\%$
- Battery efficiency input typical: $\geq 68\%$
- Low ripple & noise
- Short circuit protection
- Over load and Voltage protection
- Dielectric withstand 110Vdc input to secondary :
1800Vdc 1 sec
- Line regulation: $\pm 1\%$ typical
- Load regulation: $\pm 5\%$ typical
- Operating/storage Temp. 0°C~45°C / -40°C~ 60°C
- Hold-up time : $\geq 18\text{mS}$
- P/G signal delay: Power on 100~500mS; off $> 1\text{mS}$.
- MTBF:100K Hrs typical, at 25°C
- EMC: Meet EN55022 class A, EN55024
- Safety: Meet EN60950
- Dimension: H40mm x W100 x D200mm
- Cooling: 40 x 40 x 20 mm Fan x 1

Battery Selection

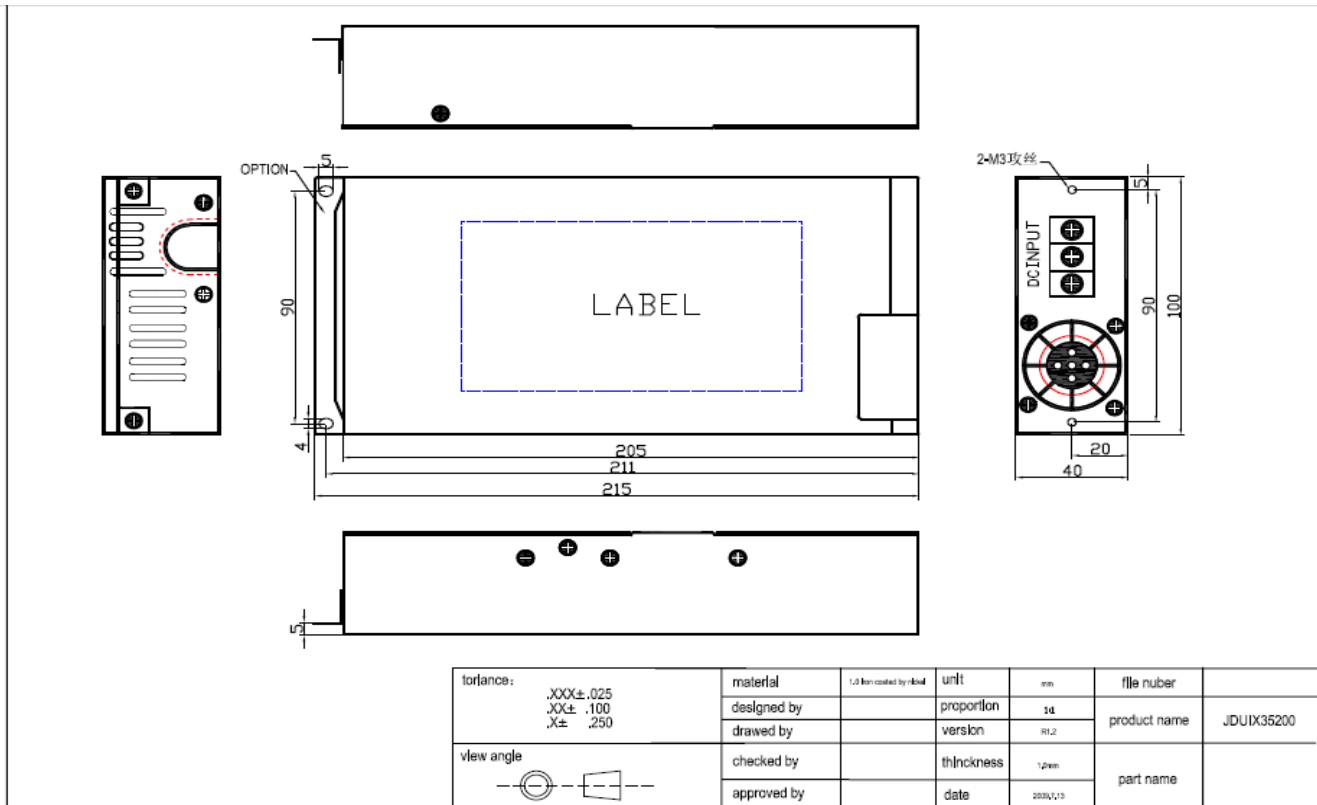


Output List

Model	INPUT		Output min. / max. A							Total Output Max.(W)
	Main Vdc	Sub Vdc	+ 5V	+3.3V	5V & 3.3V	+12V	-12V	+5VSB	charge	
	Vdc	V	A	A	W	A	A	A	A / 14V	W
JUIX35160	110	12	0.2/14A	0.1/13A	80W	0.6/10A	0/0.3A	0/2A	0/0.5	160
JUIX35200	110	12	0.2/14A	0.1/13A	80W	0.6/14A	0/0.3A	0/2A	0/0.5	200
JUIX35250	110	12	0.2/15A	0.1/19A	97W	0.6/17A	0/0.3A	0/2A	0/0.5	250



Mechanical Drawing:

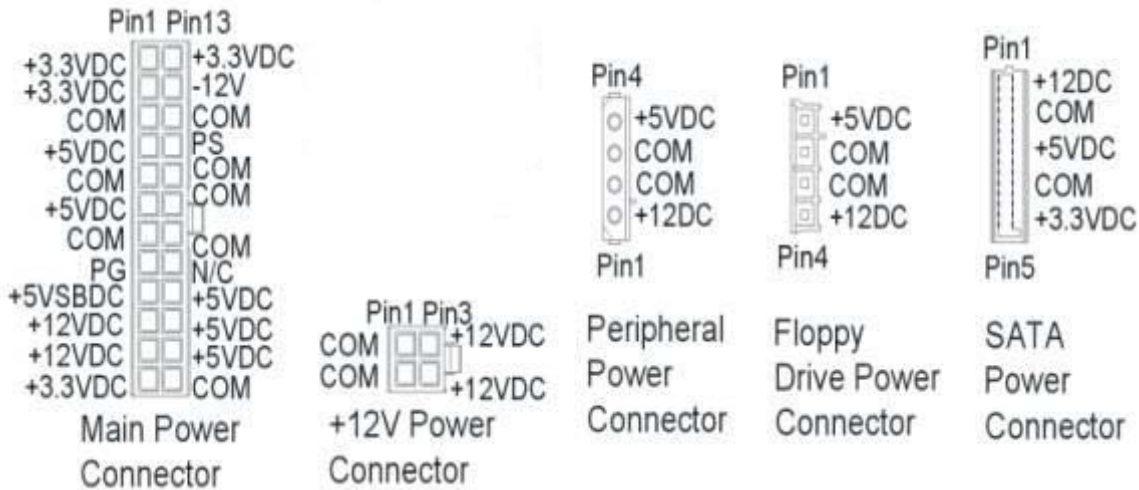




ATX 12V TYPE

Wire Harness:

DC output connectors :



Wiring Length :

- P1 main power connector : 300mm
- P2 + P3 peripheral power connectors L4 : 300mm + 140mm
- P4 + P5 peripheral power connector L4 + Floppy drive power connector S4 : 300mm + 140mm
- P6 12V power connector : 300mm
- SATA x 2 power connector : 300mm +140mm