



Features and Benefit:

Excellent Protection Inside

- On-line UPS function inside
- Ultimate-protection in the power unit
(Avoiding surges, sages and fluctuations)
- Minimizing the "Single-Point-Failures"

High Energy Efficiency

- To avoid energy loss of traditional UPS
- Only one time E-M energy transfer.
- Auto battery recharge

Widely Input and Flexible Output

- AC 115~230V and DC (12V) parallel inputs.
- Batteries extensible and hot-swap
- Ni-MH battery, (option)
- Meet the ATX 12V 2.01

Intelligent Control & Monitoring

- USB interface compatibility with O/S:
WINDOWS, LINUX,

Special Predominance

- Battery discharge / charge protection

Specification:

- AC input Voltage:115~230V
- AC input frequency: 47~ 63Hz
- Active PFC compliance with EN61000-3-2 D.
- AC efficiency typical:≥76%
- Dimension: W100 xD200 xH70mm 2U
- Cooling:60 x 60(mm) Fan x 2
- DC input Voltage:12V (10~14V)
- DC efficiency input typical:≥72%
- Low ripple & noise
- Short circuit protection
- Over load and Voltage protection
- Dielectric withstand input to ground:1800Vac 1 sec
- Line regulation:±1%typical
- Load regulation:±5%typical
- Operating/storage Temp. 0°C~45°C / -40°C~ 50°C
- Hold-up time :≥18mS
- P/G signal delay: Power on 100~500mS; off>1mS.
- MTBF:100K Hrs typical, at 25°C
- EMC: meet EN55022 A, EN55024
- Safety meet EN60950
- Dimension: 1U W100 xD240 xH40mm
- Cooling:40 x 40(mm) Fan x 2
- Weight : 1.65kgs

Battery Selection:



JUIX5250

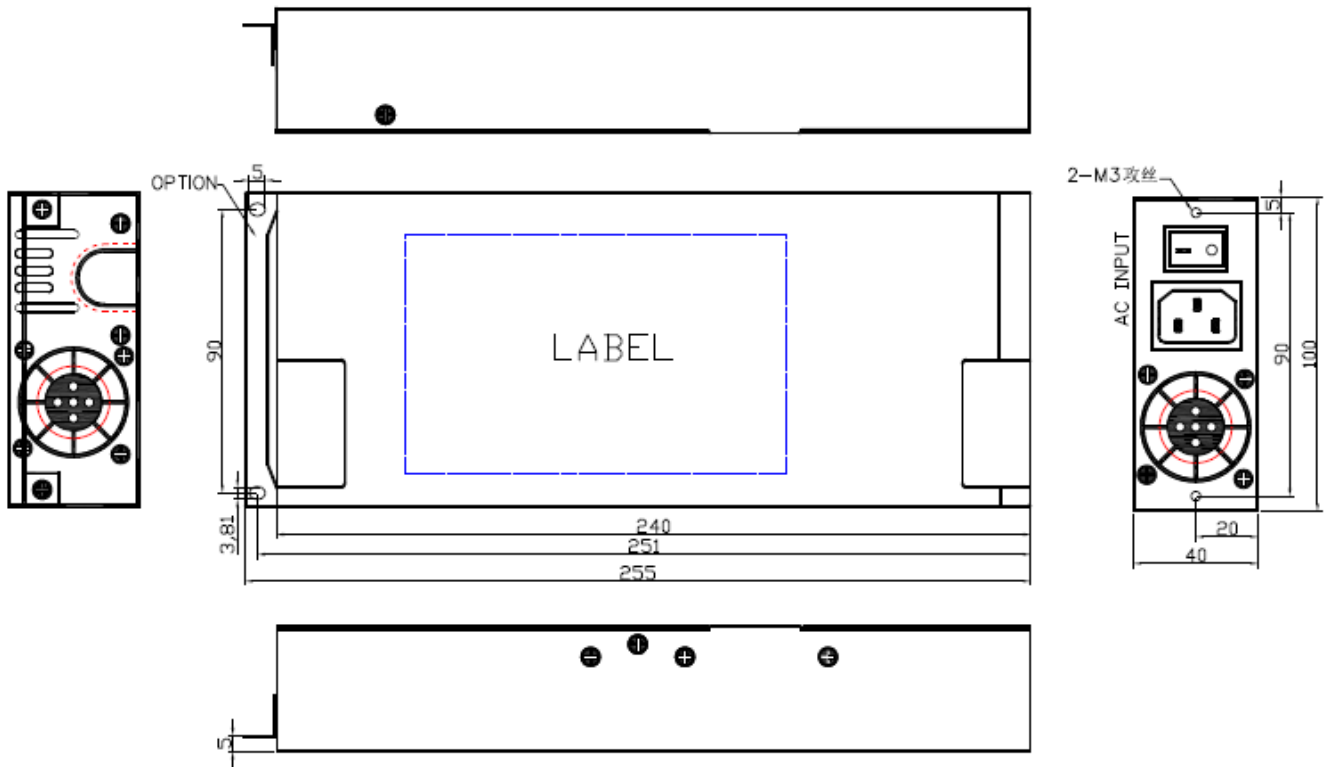
Output

Model	INPUT		Output min./max.A								Total Output Max.(W)
	Vac	Vdc	+ 5V	+3.3V	5V & 3.3V	+12V	-12V	+5VSB	charge 14V	Monitor (Option)	
	V	V	A	A	W	A	A	A	A	A/V	W
JUIX5250	115-230	12	0.2/15A	0.1/19A	97W	0.6/17A	0/0.3A	0/2A	0.5	3.5/12	250



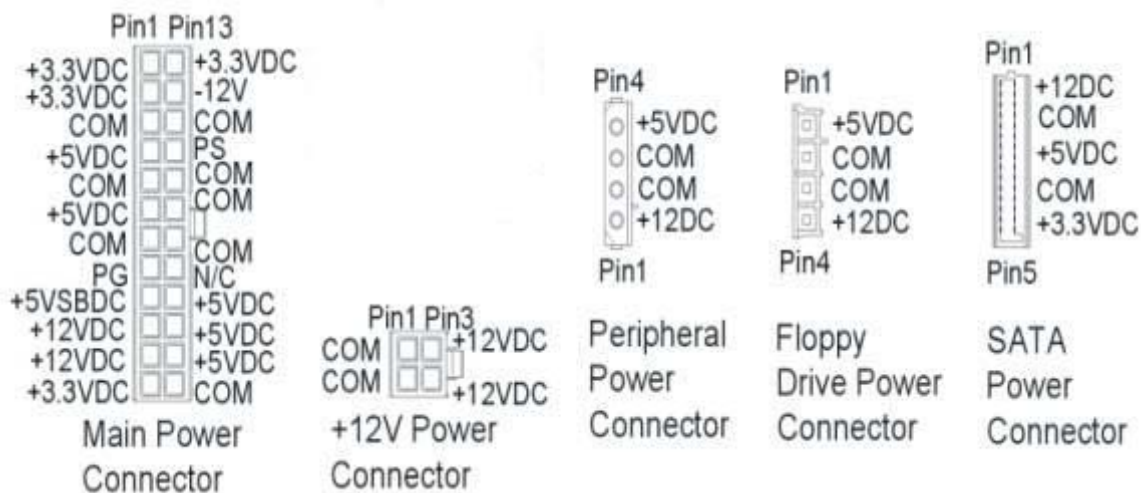
Meet ATX 12V

Mechanical Drawing:





Wire Harness:



Wiring Length :

Wiring Length :

P1 main power connector : 300mm

P2 + P3 peripheral power connectors L4 : 300mm + 140mm



Meet ATX 12V

P4 + P5 peripheral power connector L4 +

Floppy drive power connector S4 : 300mm + 140mm

P6 12V power connector : 300mm

SATA x 2 power connector : 300mm +140mm