



Features and Benefit:

Excellent Protection Inside

- On-line UPS function inside
- Ultimate-protection in the power unit
(Avoiding surges, sages and fluctuations)
- Minimizing the “Single-Point-Failures”

High Energy Efficiency

- To avoid energy loss of traditional UPS
- Only one time E-M energy transfer.
- Auto battery recharge

Widely Input and Flexible Output

- AC 115~230V and DC (24V) parallel inputs.
- Batteries extensible and hot-swap
- Ni-MH battery, (option)
- Meet ATX 12V 2.01
- LCD 19” Monitor support from 12Vdc output

Intelligent Control & Monitoring

- USB interface compatibility with O/S:
WINDOWS, LINUX,

Special Predominance

- Battery discharge / charge protection

Specification:

- AC input Voltage:115~230V
- AC input frequency: 47~ 63Hz
- Active PFC compliance with EN61000-3-2 D.
- AC efficiency typical: $\geq 76\%$
- DC input Voltage:20V~36V
- DC efficiency input typical: $\geq 70\%$
- Low ripple & noise
- Short circuit protection
- Over load and Voltage protection
- Dielectric withstand input to ground:1800Vac 1 sec
- Line regulation: $\pm 1\%$ typical
- Load regulation: $\pm 5\%$ typical
- Operating/storage Temp. 0°C~45°C / -40°C~ 50°C
- Hold-up time : $\geq 17\text{mS}$ (without battery).
- P/G signal delay: Power on 100~500mS; off > 1mS.
- MTBF:100K Hrs typical, at 25°C
- EMC: meet EN55022 class A, EN55024
- Safety: meet EN60950
- Dimension: W100 xD240 xH40 mm 1U
- Cooling: 40 x40 (mm) Fan x 2

Battery Selection:

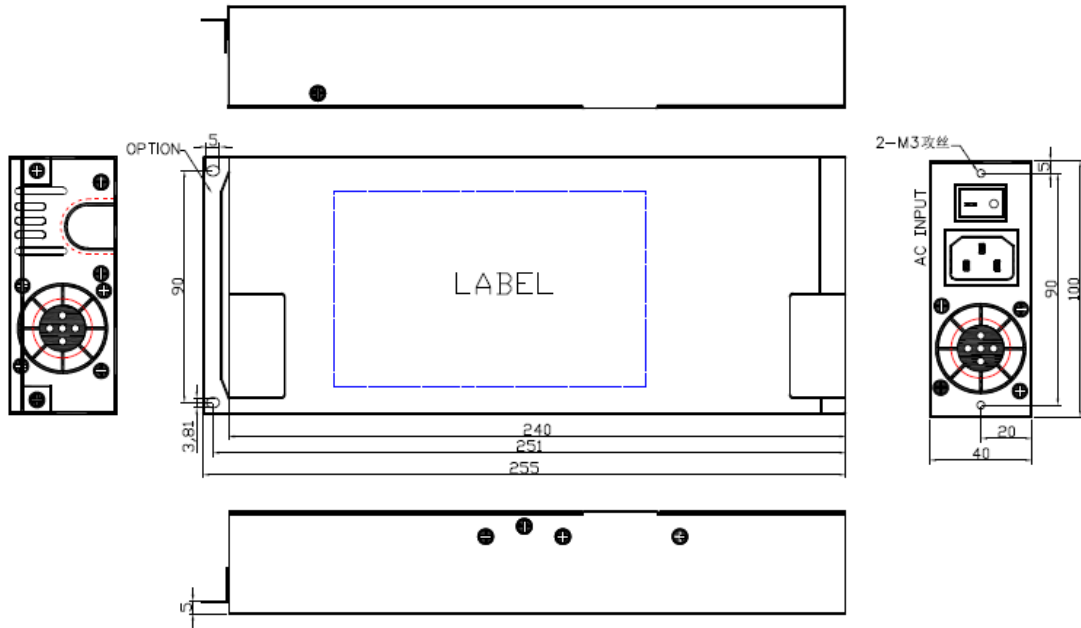


OUTPUT LIST

Model	INPUT		Output min./max. A								Total Output Max. (W)
	Vac	Vdc	+ 5V	+3.3V	5V & 3.3V	+12V	-12V	+5VSB	Charge 28V	Monitor (Option)	
	V	V	A	A	W	A	A	A	A	A/V	W
JUIX7350	115-230	24	0.2/20A	0.1/21A	103W	0.6/25A	0/0.3A	0/2A	0.5	3.5/12	350
JUIX7400	115-230	24	0.2/20A	0.1/24A	120W	0.6/30A	0/0.3A	0/2A	0.5	3.5/12	400
JUIX7460	115-230	24	0.2/20A	0.1/24A	120W	0.6/32A	0/0.3A	0/2A	0.5	3.5/12	460
JUIX7500	115-230	24	0.2/20A	0.1/24A	130W	0.6/45A	0/0.3A	0.1/2A	0.5	3.5/12	500



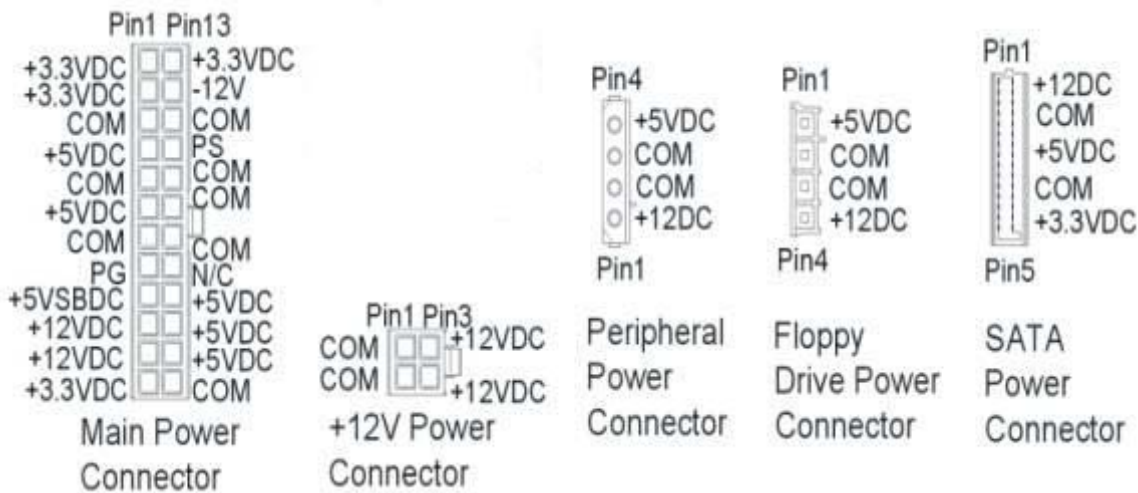
Mechanical Drawing:





Wire Harness:

For JUIX7350



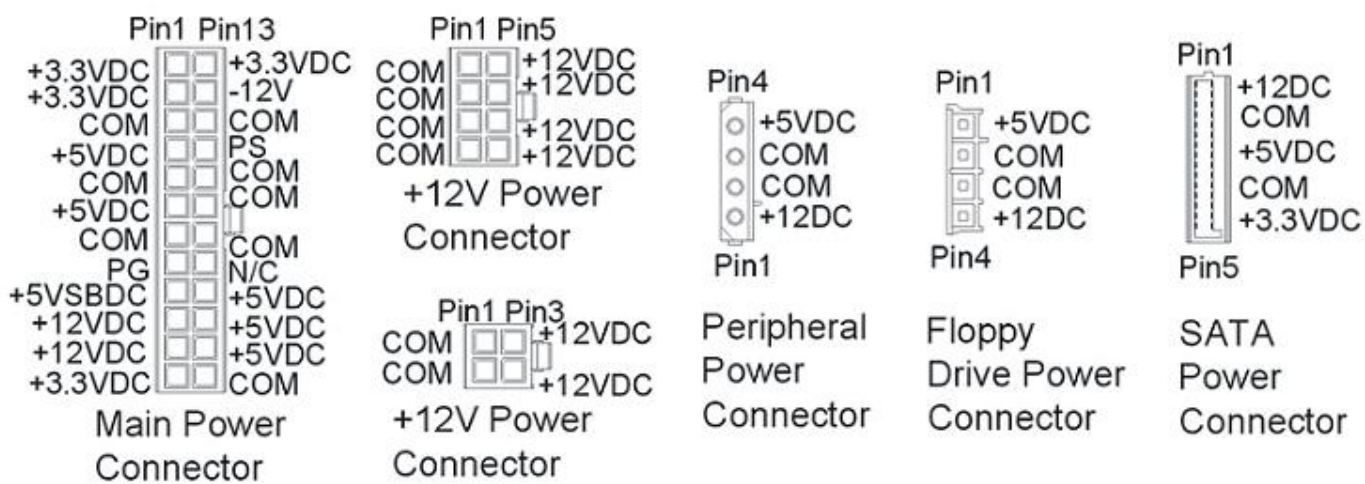
Wiring Length:

- P1 main power connector: 300mm
- P2 + P3 peripheral power connectors L4: 300mm + 140mm
- P4 + P5 peripheral power connector L4 + Floppy drive power connector S4: 300mm + 140mm
- P6 12V power connector: 300mm
- SATA x 2 power connector: 300mm +140mm



Wire Harness:

For JUIX7400~7500



Wiring Length:

P1 main power connector 24 pins: 500mm

P2 + P3 peripheral power connectors L4: 500mm + 140mm

P4 + P5 peripheral power connectors L4: 500mm + 140mm

P6 + P7 peripheral power connector L4 +

Floppy drive power connector S4: 500mm + 140mm

P8 12V-8-power connector: 500mm

P9 12V-4-power connector: 500mm

SATA- power connector: 500mm