



**ATX 12V TYPE**

**Features and Benefit:**

**Excellent Protection Inside**

- On-line UPS function inside
- Ultimate-protection in the power unit  
(Avoiding surges, sages and fluctuations)
- Minimizing the "Single-Point-Failures"

**High Energy Efficiency**

- To avoid energy loss of traditional UPS
- Only one time E-M energy transfer.
- Auto battery recharge

**Widely Input and Flexible Output**

- AC 165~240V and DC (12V) parallel inputs.
- Batteries extensible and hot-swap
- Ni-MH battery, (option)
- Meet the ATX 12V
- Monitor Support (AC same input & High Vdc)

**Intelligent Control & Monitoring**

- USB interface compatibility with O/S:  
WINDOWS, LINUX,

**Special Predominance**

- Battery discharge / charge protection
- **Battery built in the power supply unit.**

**Specification:**

- AC input Voltage:165~240V
- AC input frequency: 47~ 63Hz
- Passive PFC .
- AC efficiency typical:  $\geq 73\%$
- DC input Voltage:12V (10-14V)
- DC efficiency input typical:  $\geq 67\%$
- Low ripple & noise
- Short circuit protection
- Over load and Voltage protection
- Dielectric withstand input to ground:1800Vac 1 sec
- Line regulation:  $\pm 1\%$ typical
- Load regulation:  $\pm 5\%$ typical
- Operating/storage Temp. 0°C~45°C / -40°C~ 50°C
- Hold-up time :  $\geq 18\text{mS}$
- P/G signal delay: Power on 100~500mS; off > 1mS.
- MTBF:100K Hrs typical, at 25°C
- EMC : meet EN55022 A, EN55024
- Safety: meet EN60950
- Dimension: W150 x D140 x H86 mm
- Cooling: 80mmx80mm x 1

**Battery Selection**

Extensible Battery Pack.



**JUTX5250B**

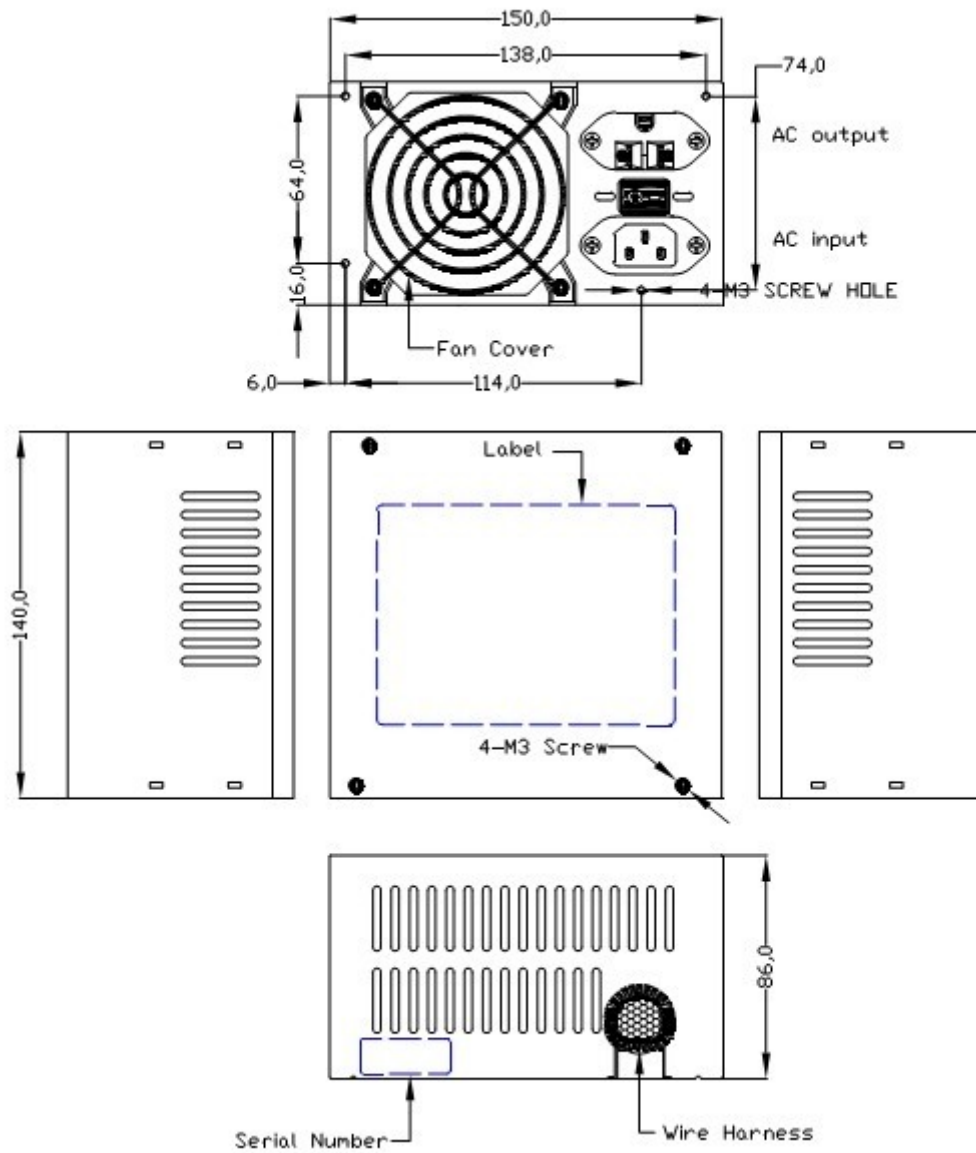
	Output Current min/max. (A)										
	Vac	Vdc	+ 5V	+3.3V	5V & 3.3V	+12V	-12V	+5VSB	Charge 14V	Monitor (Option)	Total Output Max. (W)
	V	V	A	A	W	A	A	A	A	A / AC	W
JUTX5250B	160-240	12	0.2/14	0.1/13	103W	0.6/14	0/0.3A	0/2	0.5	0.5	250

Notice: The total continual output **210W**.



ATX 12V TYPE

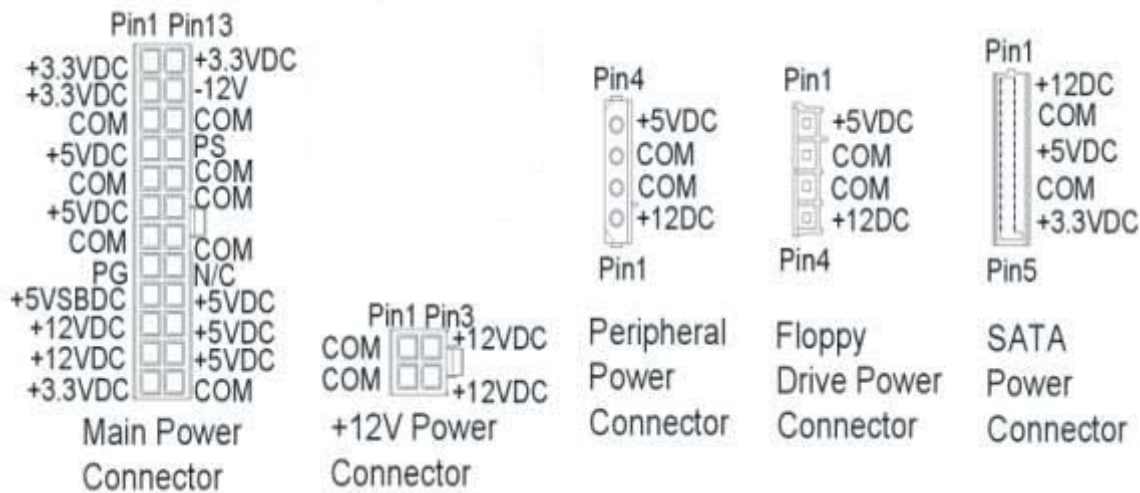
**Mechanical Drawing:**





**ATX 12V TYPE**

**Wire Harness:**



**Wiring Length:**

- P1 main power connector: 300mm
- P2 + P3 peripheral power connectors L4: 300mm + 140mm
- P4 + P5 peripheral power connector L4 + Floppy drive power connector S4: 300mm + 140mm
- P6 12V power connector: 300mm
- SATA x 2 power connector : 300mm +140mm



ATX 12V TYPE

---